

Figure 15. 10 W Standby Supply.

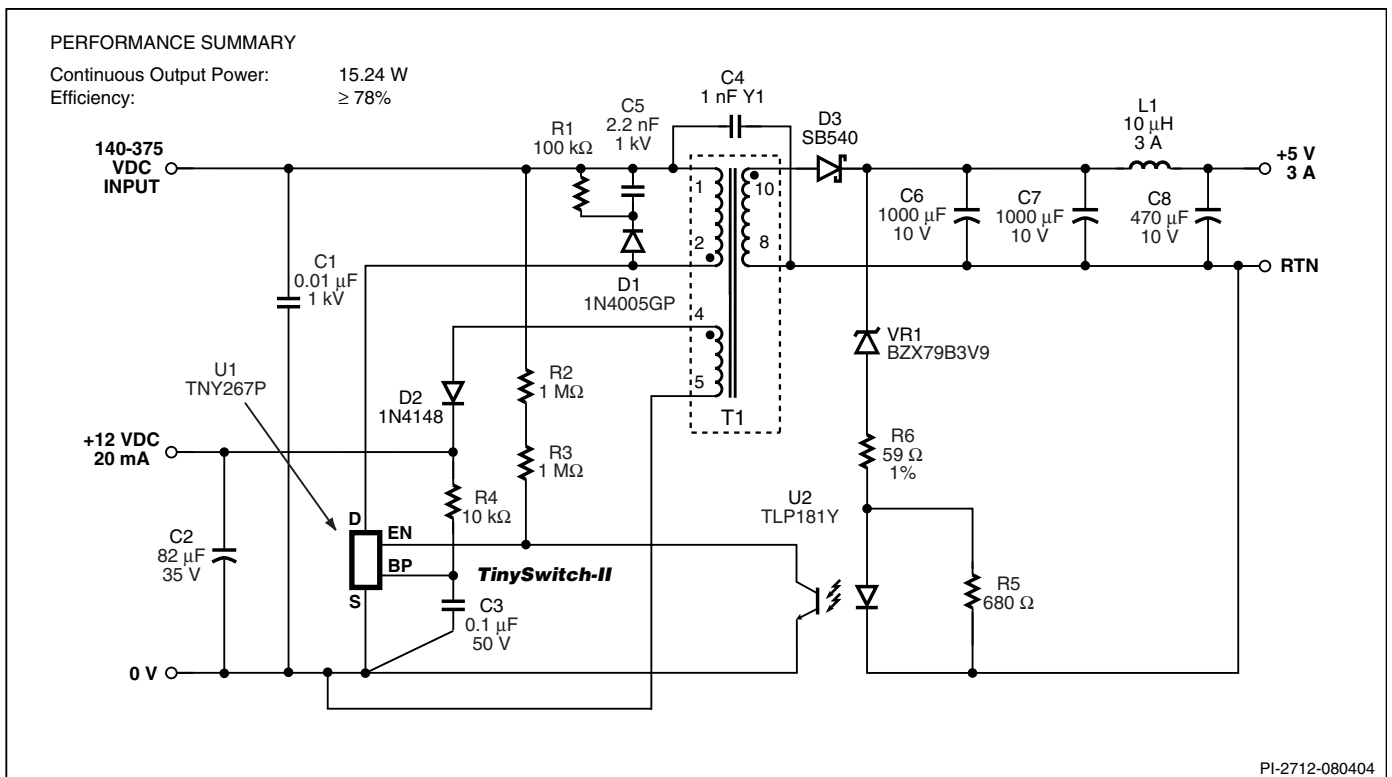


Figure 16. 15 W Standby Supply.