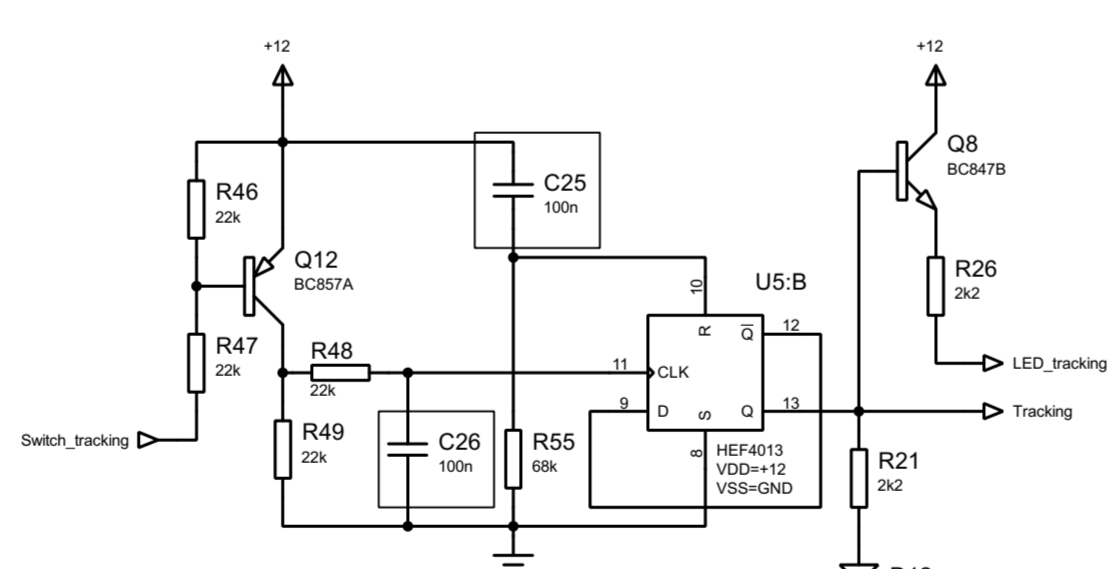
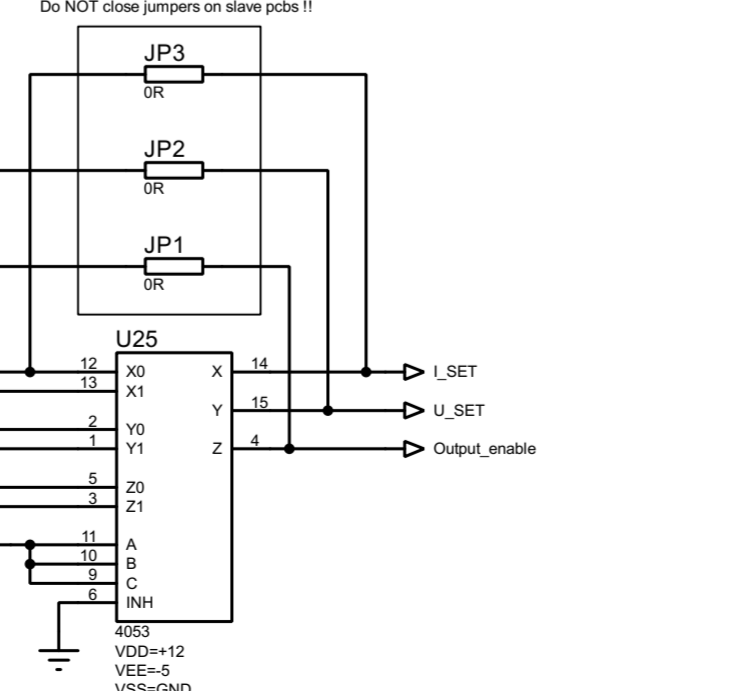
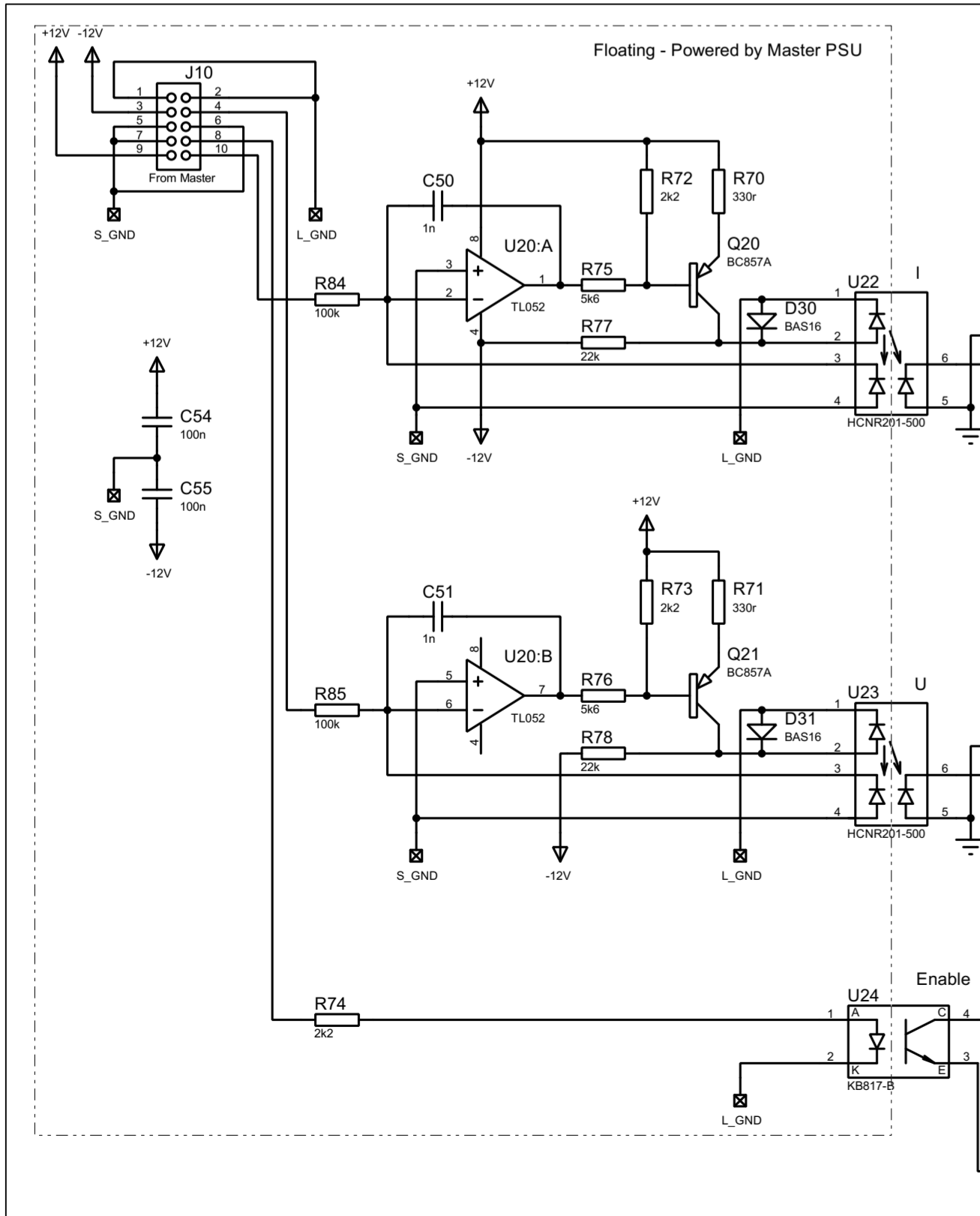
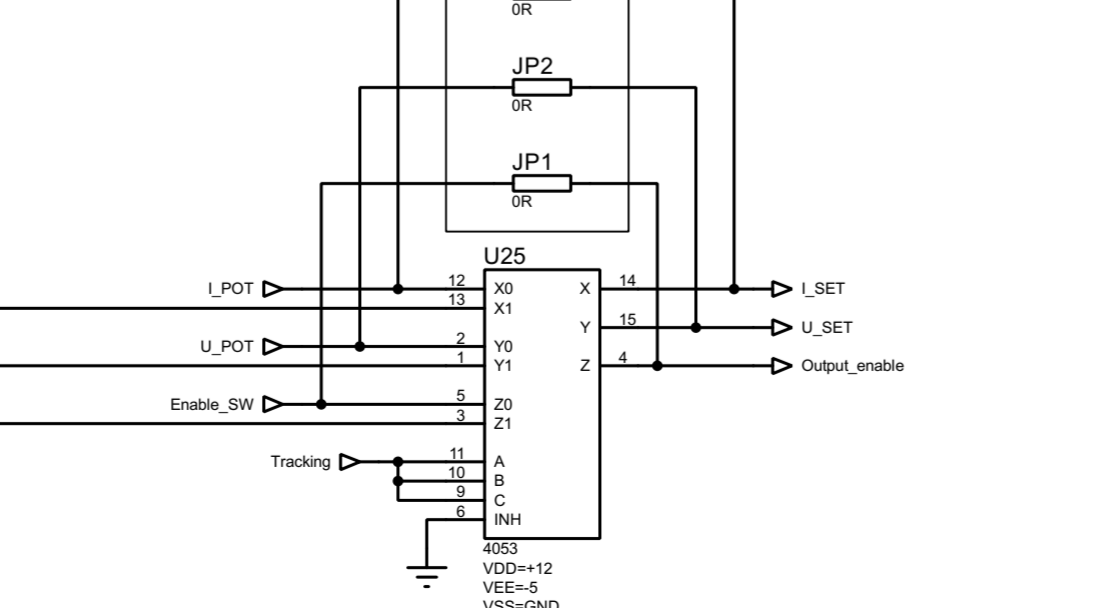


This section is only required for tracking on slave pcb(s)
On single or master pcb only populate jumpers JP1, JP2 & JP3
and place two 22k resistors in positions C25 and C26.



Do NOT close jumpers on slave pcbs!!



4053 VDD=+12 VEE=-5 VSS=GND

