

**OBSOLETE PRODUCT
NO RECOMMENDED REPLACEMENT**
Call Central Applications 1-800-442-7747
or email: centapp@harris.com

CD22100

February 1999

CMOS 4 x 4 Crosspoint Switch with Control Memory High-Voltage Type (20V Rating)

Features

- Low ON Resistance 75Ω (Typ) at $V_{DD} = 12V$
- “Built-In” Control Latches
- Large Analog Signal Capability $\pm V_{DD}/2$
- 10MHz Switch Bandwidth
- Matched Switch Characteristics $\Delta R_{ON} = 18\Omega$ (Typ) at $V_{DD} = 12V$
- High Linearity - 0.5% Distortion (Typ) at $f = 1kHz$, $V_{IN} = 5V_{P-P}$, $V_{DD} = 10V$, and $R_L = 1k\Omega$
- Standard CMOS Noise Immunity
- 100% Tested for Maximum Quiescent Current at 20V

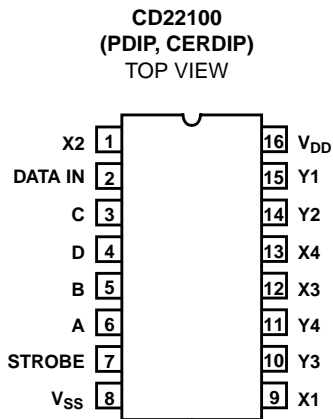
Description

CD22100 combines a 4 x 4 array of crosspoints (transmission gates) with a 4-line to 16-line decoder and 16 latch circuits. Any one of the sixteen transmission gates (crosspoints) can be selected by applying the appropriate four line address. The selected transmission gate can be turned on or off by applying a logic one or zero, respectively, to the data input and strobing the strobe input to a logic one. Any number of the transmission gates can be ON simultaneously. When the required operating power is applied to the CD22100, the states of the 16 switches are indeterminate. Therefore, all switches must be turned off by putting the strobe high and data in low, and then addressing all switches in succession.

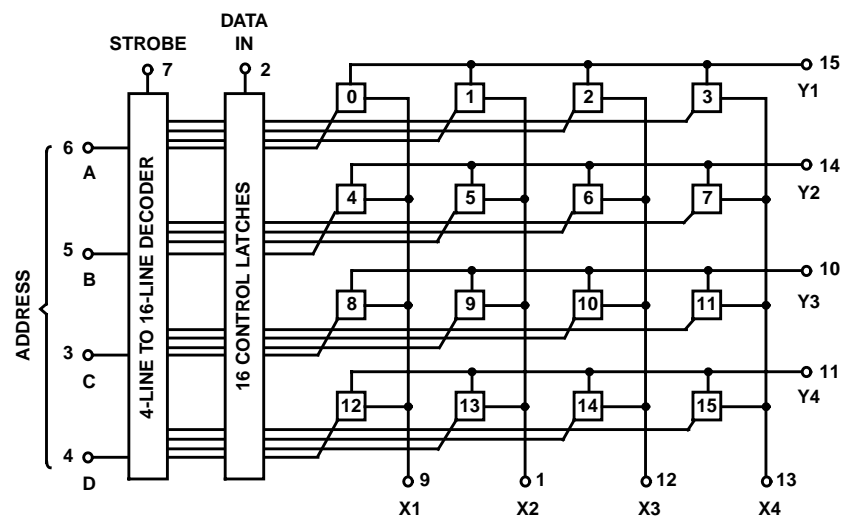
Ordering Information

PART NUMBER	TEMP. RANGE (°C)	PACKAGE	PKG. NO.
CD22100E	-40 to 85	16 Ld PDIP	E16.3
CD22100F	-55 to 125	16 Ld CERDIP	F16.3

Pinout



Functional Diagram



CD22100

Absolute Maximum Ratings

Supply Voltage (Referenced to VSS Terminal) -0.5 to 20V
 Input Voltage (All Inputs) -0.5 to V_{DD} 0.5V
 Input Current (Any one input (Note 1)) ± 10 mA
 Power Dissipation
 For $T_A = -40^\circ\text{C}$ to 60°C (Package Type E) 500mW
 For $T_A = 60^\circ\text{C}$ to 85°C
 (Package Type E) Derate Linearly $12\text{mW}/^\circ\text{C}$ to 200mW
 For $T_A = -55^\circ\text{C}$ to 100°C (Package Type F) 500mW
 For $T_A = 100^\circ\text{C}$ to 125°C
 (Package Type F) Derate Linearly $12\text{mW}/^\circ\text{C}$ to 200mW
 Device Dissipation per Transmission Gate
 For $T_A = \text{Full Package Temperature Range (All Types)}$ 100mW

Thermal Information

Maximum Junction Temperature 175°C
 Maximum Junction Temperature (Plastic Package) 150°C
 Storage Temperature Range $-65^\circ\text{C} \leq T_A \leq 150^\circ\text{C}$
 Maximum Lead Temperature (Soldering 10s) 300°C

Operating Conditions

Temperature Range
 Package Type F $-55^\circ\text{C} \leq T_A \leq 125^\circ\text{C}$
 Package Type E $-40^\circ\text{C} \leq T_A \leq 85^\circ\text{C}$
 Supply Voltage Range
 For $T_A = \text{Full Package Temperature Range}$ 3V to 18V

CAUTION: Stresses above those listed in "Absolute Maximum Ratings" may cause permanent damage to the device. This is a stress only rating and operation of the device at these or any other conditions above those indicated in the operational sections of this specification is not implied.

Electrical Specifications

Values at -55°C , 25°C , 125°C Apply to F Package
 Values at -40°C , 25°C , 85°C Apply to E Package

PARAMETER	SYMBOL	TEST CONDITIONS	TEST CONDITIONS				25°C			UNITS		
			FIG.	V_{DD} (V)	-55°C MAX	-40°C MAX	85°C MAX	125°C MAX	MIN		TYP	MAX
STATIC CROSSPOINTS												
Quiescent Device Current	I_{DD} (Max)		1	5	5	5	150	150	-	0.04	5	μA
			1	10	10	10	300	300	-	0.04	10	μA
			1	15	20	20	600	600	-	0.04	20	μA
			1	20	100	100	3000	3000	-	0.08	100	μA
On Resistance	R_{ON} (Max)	Any Switch $V_{IS} = 0$ to V_{DD}	11	5	475	500	725	800	-	225	600	Ω
			12	10	135	145	205	230	-	85	180	Ω
			-	12	100	110	155	175	-	75	135	Ω
			13	15	70	75	110	125	-	65	95	Ω
ΔR_{ON} Resistance	ΔR_{ON}	Between any two switches	-	5	-	-	-	-	-	25	-	Ω
			-	10	-	-	-	-	-	10	-	Ω
			-	12	-	-	-	-	-	8	-	Ω
			-	15	-	-	-	-	-	5	-	Ω
OFF Switch Leakage Current	I_L (Max)	All switches OFF, $V_{IS} = 18\text{V}$	3	18	± 100		± 1000		-	± 1	± 100 (Note 2)	nA
STATIC CONTROLS												
Input Low Voltage	V_{IL} (Max)	OFF switch $I_L < 0.2\mu\text{A}$	-	5	1.5			-	-	1.5	V	
			-	10	3			-	-	3	V	
			-	15	4			-	-	4	V	
Input High Voltage	V_{IH} (Min)	ON switch see R_{ON} characteristic	-	5	3.5			3.5	-	-	V	
			-	10	7			7	-	-	V	
			-	15	11			11	-	-	V	
Input Current	I_{IN} (Max)	Any control $V_{IN} = 0, 18\text{V}$	2	18	± 0.1	± 0.1	± 1	± 1	-	$\pm 10^{-5}$	± 0.1	μA

NOTES:

- Maximum current through transmission gates (switches) = 25mA.
- Determined by minimum feasible leakage measurement for automatic testing.

CD22100

Electrical Specifications $T_A = 25^\circ\text{C}$

PARAMETER	SYMBOL	TEST CONDITIONS					MIN	TYP	MAX	UNITS					
		FIGURE	f_{IS} (kHz)	R_L (k Ω)	V_{IS} (V) (Note 3)	V_{DD} (V)									
DYNAMIC CROSSPOINTS															
Propagation Delay Time, (Switch ON) Signal Input to Output	t_{PHL}, t_{PLH}	5	-	10	5	5	-	30	60	ns					
					10	10					-	15	30	ns	
					15	15									-
		$C_L = 50\text{pF}; t_R, t_F = 20\text{ns}$													
Frequency Response (Any Switch ON)	f_{3dB}	16	1	1	5	10	-	40	-	MHz					
											Sine Wave Input, $20 \log \frac{V_{OS}}{V_{IS}} = -3\text{dB}$				
Sine Wave Response (Distortion)	THD		1	1	5	10	-	0.5	-	%					
Feedthrough (All switches OFF)	F_{DT}		1.6	1	5	10	-	-80	-	dB					
											Sine Wave Input				
Frequency for Signal Crosstalk Attenuation of 40dB Attenuation of 110dB	F_{CT}	7	-	1	10	10	-	1.5	-	MHz					
											Sine Wave Input				
Capacitance: Xn to Ground	C_{IS}		-	-	-	5 - 15	-	18	-	pF					
Yn to Ground			-	-	-	5 - 15	-	30	-	pF					
Feedthrough	C_{IOS}		-	-	-	-	-	0.4	-	pF					
DYNAMIC CONTROLS															
Propagation Delay Time: Strobe to Output (Switch Turn-ON to High Level)	t_{PZH}	8	$R_L = 1\text{k}\Omega,$ $C_L = 50\text{pF},$ $t_R, t_F = 20\text{ns}$	5	-	300	600	ns							
				10	-	125	250	ns							
				15	-	80	160	ns							
Propagation Delay Time: Data-In to Output (Turn-ON to High Level)	t_{PZH}	9	$R_L = 1\text{k}\Omega,$ $C_L = 50\text{pF},$ $t_R, t_F = 20\text{ns}$	5	-	110	220	ns							
				10	-	40	80	ns							
				15	-	25	50	ns							
Propagation Delay Time: Address to Output (Turn-ON to High Level)	t_{PZH}	10	$R_L = 1\text{k}\Omega,$ $C_L = 50\text{pF},$ $t_R, t_F = 20\text{ns}$	5	-	350	700	ns							
				10	-	135	270	ns							
				15	-	90	180	ns							
Propagation Delay Time: Strobe to Output (Switch Turn-OFF)	t_{PHZ}	8	$R_L = 1\text{k}\Omega,$ $C_L = 50\text{pF},$ $t_R, t_F = 20\text{ns}$	5	-	165	330	ns							
				10	-	85	170	ns							
				15	-	70	140	ns							
Propagation Delay Time: Data-In to Output (Turn-ON to Low Level)	t_{PZL}	9	$R_L = 1\text{k}\Omega,$ $C_L = 50\text{pF},$ $t_R, t_F = 20\text{ns}$	5	-	210	420	ns							
				10	-	110	220	ns							
				15	-	100	200	ns							
Propagation Delay Time: Address to Output (Turn-OFF)	t_{PHZ}	10	$R_L = 1\text{k}\Omega,$ $C_L = 50\text{pF},$ $t_R, t_F = 20\text{ns}$	5	-	435	870	ns							
				10	-	210	420	ns							
				15	-	160	320	ns							

CD22100

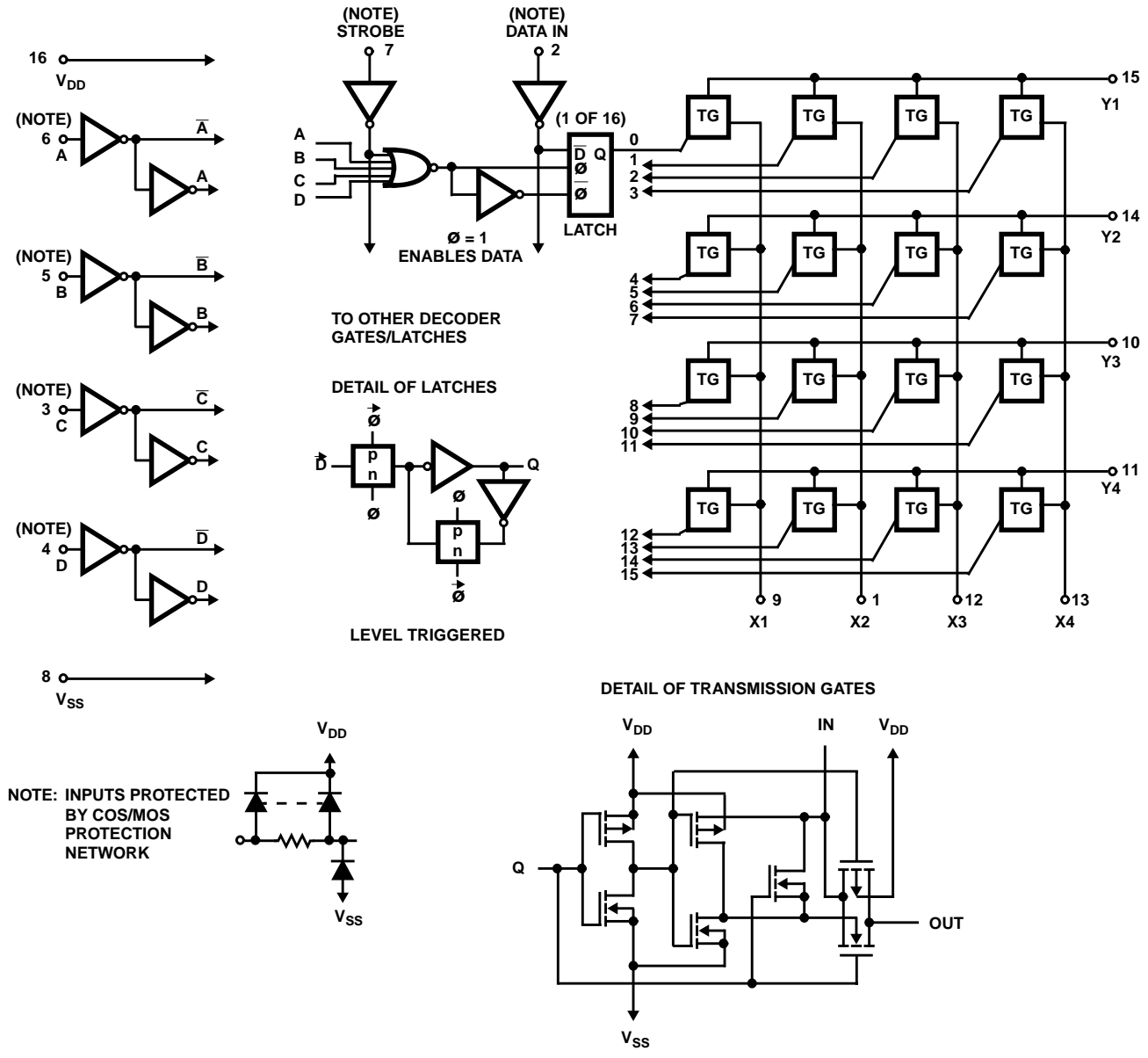
Electrical Specifications $T_A = 25^\circ\text{C}$ (Continued)

PARAMETER	SYMBOL	TEST CONDITIONS				MIN	TYP	MAX	UNITS
		FIGURE	f_{IS} (kHz)	R_L (k Ω)	V_{IS} (V) (Note 3)				
Minimum Setup Time Data-In to Strobe, Address	t_S	8, 10	$R_L = 1\text{k}\Omega$, $C_L = 50\text{pF}$, $t_R, t_F = 20\text{ns}$	5	-	95	190	ns	
				10	-	25	50	ns	
				15	-	15	30	ns	
Minimum Hold Time Data-In to Strobe, Address	t_H	8, 10	$R_L = 1\text{k}\Omega$, $C_L = 50\text{pF}$, $t_R, t_F = 20\text{ns}$	5	-	180	360	ns	
				10	-	110	220	ns	
				15	-	35	70	ns	
Maximum Switching Frequency	f_{\emptyset}		$R_L = 1\text{k}\Omega$, $C_L = 50\text{pF}$, $t_R, t_F = 20\text{ns}$	5	0.6	1.2	-	MHz	
				10	1.6	3.2	-	MHz	
				15	2.5	5	-	MHz	
Minimum Strobe Pulse Width	t_W	8		5	-	300	600	ns	
				10	-	120	240	ns	
				15	-	90	180	ns	
Control Crosstalk, Data-In, Address or Strobe to Output		6	Square Wave Input; $t_R, t_F = 20\text{ns}$		10	-	75	- mV_{PEAK}	
			-	10					10
Input Capacitance	C_{IN}		Any Control Input		-	-	5	7.5	pF

NOTE:

3. Peak-to-peak voltage symmetrical about $\frac{V_{DD}}{2}$.

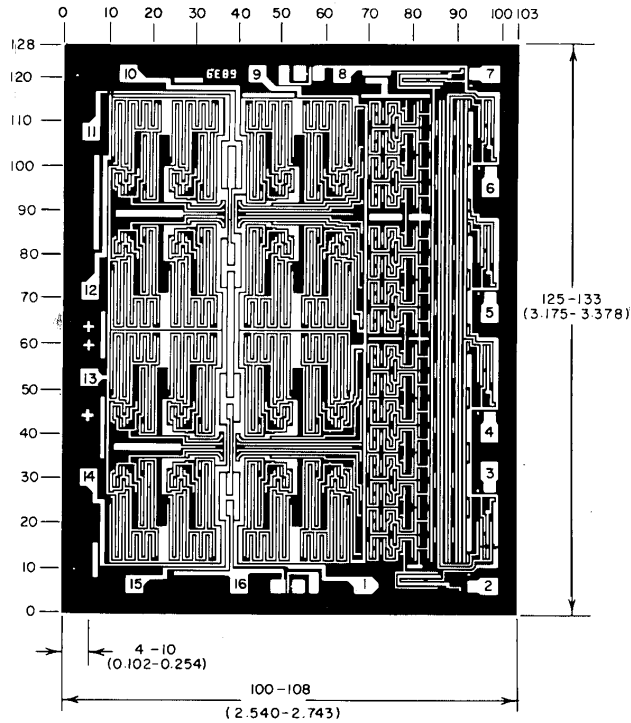
Schematic Diagram



TRUTH TABLE

ADDRESS				SELECT	ADDRESS				SELECT
A	B	C	D		A	B	C	D	
0	0	0	0	X1Y1	0	0	0	1	X1Y3
1	0	0	0	X2Y1	1	0	0	1	X2Y3
0	1	0	0	X3Y1	0	1	0	1	X3Y3
1	1	0	0	X4Y1	1	1	0	1	X4Y3
0	0	1	0	X1Y2	0	0	1	1	X1Y4
1	0	1	0	X2Y2	1	0	1	1	X2Y4
0	1	1	0	X3Y2	0	1	1	1	X3Y4
1	1	1	0	X4Y2	1	1	1	1	X4Y4

Metallization Mask Layout



Dimensions in parenthesis are in millimeters and are derived from the basic inch dimensions as indicated. Grid graduations are in mils (10^{-3} inch).

Test Circuits and Waveforms

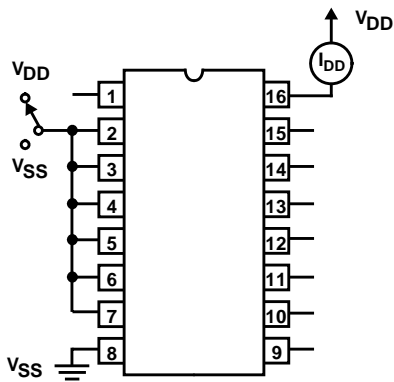
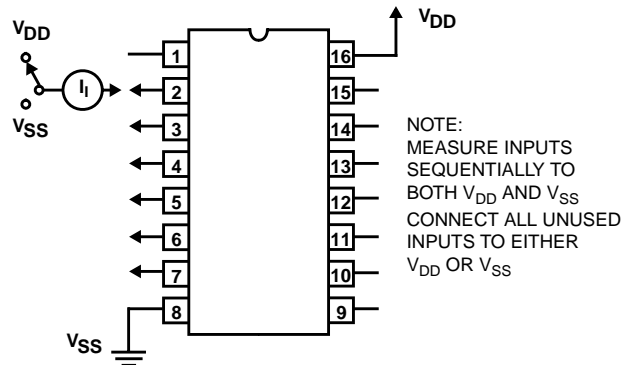


FIGURE 1. QUIESCENT CURRENT TEST CIRCUIT



NOTE:
MEASURE INPUTS
SEQUENTIALLY TO
BOTH V_{DD} AND V_{SS}
CONNECT ALL UNUSED
INPUTS TO EITHER
 V_{DD} OR V_{SS}

FIGURE 2. INPUT CURRENT TEST CIRCUIT

Test Circuits and Waveforms (Continued)

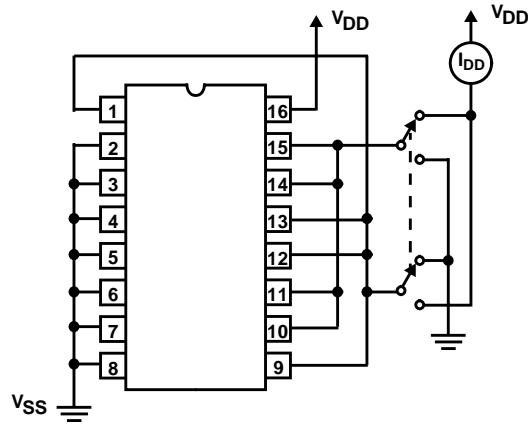
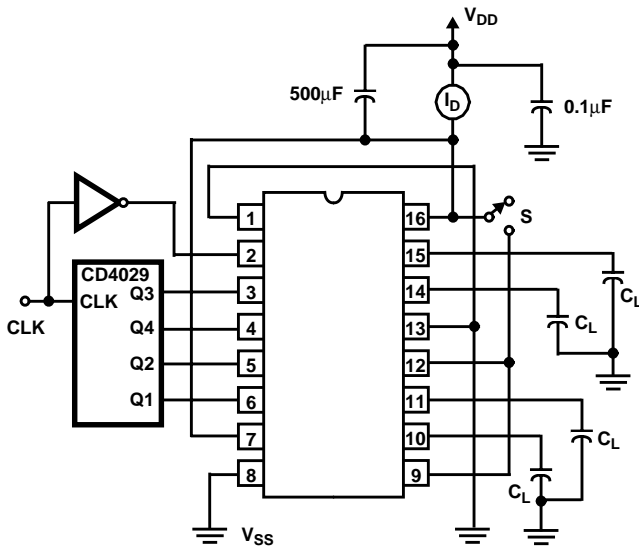


FIGURE 3. OFF SWITCH INPUT OR OUTPUT LEAKAGE CURRENT TEST CIRCUIT



NOTE:
CLOSE SWITCH S AFTER APPLYING V_{DD}

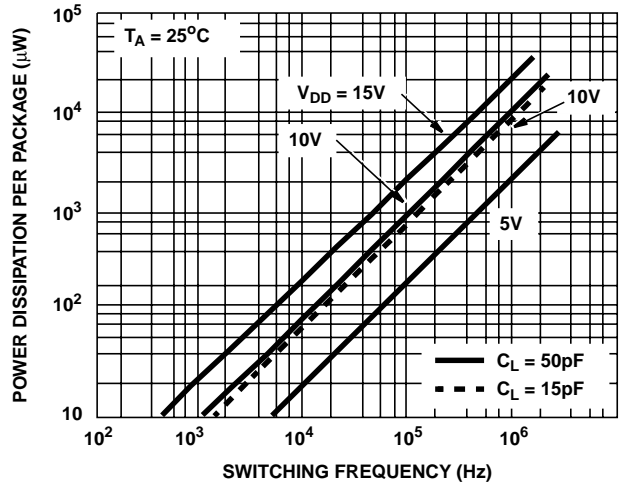


FIGURE 4. DYNAMIC POWER DISSIPATION TEST CIRCUIT AND TYPICAL DYNAMIC POWER DISSIPATION AS A FUNCTION OF SWITCHING FREQUENCY

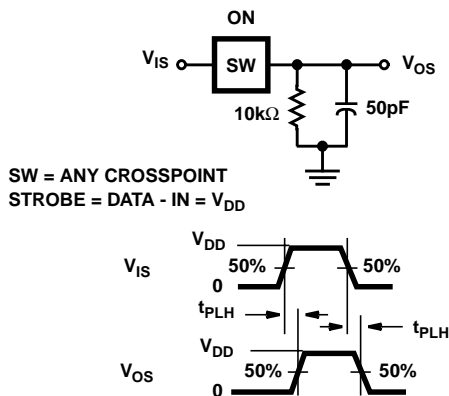


FIGURE 5. PROPAGATION DELAY TIME TEST CIRCUIT AND WAVEFORMS (SIGNAL INPUT TO SIGNAL OUTPUT, SWITCH ON)

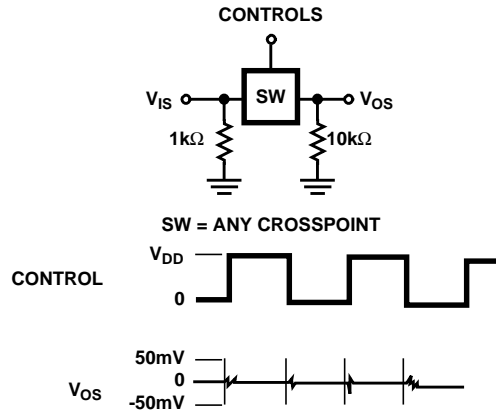


FIGURE 6. TEST CIRCUIT AND WAVEFORMS FOR CROSSTALK (CONTROL INPUT TO SIGNAL OUTPUT)

Test Circuits and Waveforms (Continued)

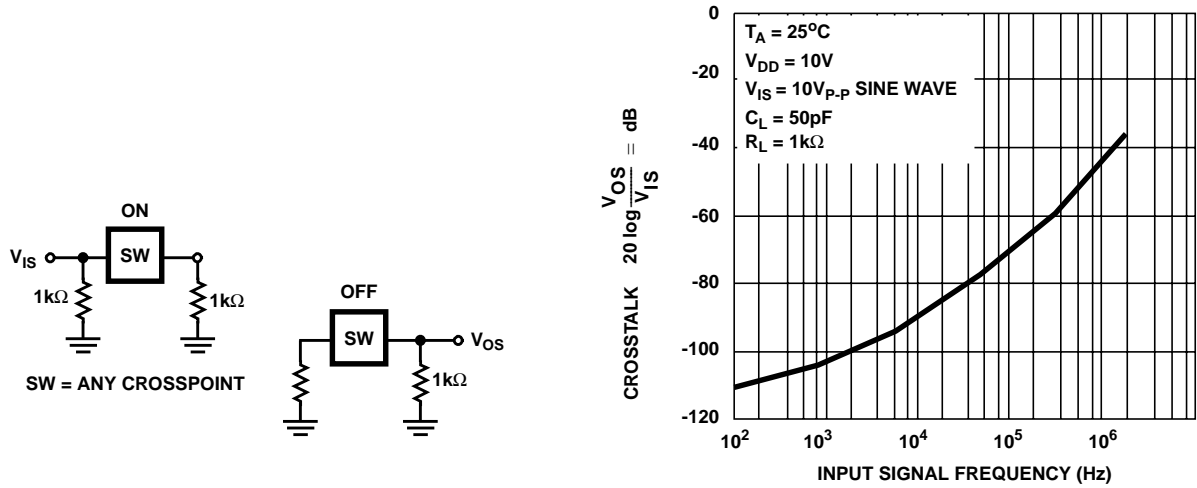


FIGURE 7. TEST CIRCUIT AND TYPICAL CROSSTALK BETWEEN SWITCH CIRCUITS IN THE SAME PACKAGE AS A FUNCTION OF SIGNAL FREQUENCY

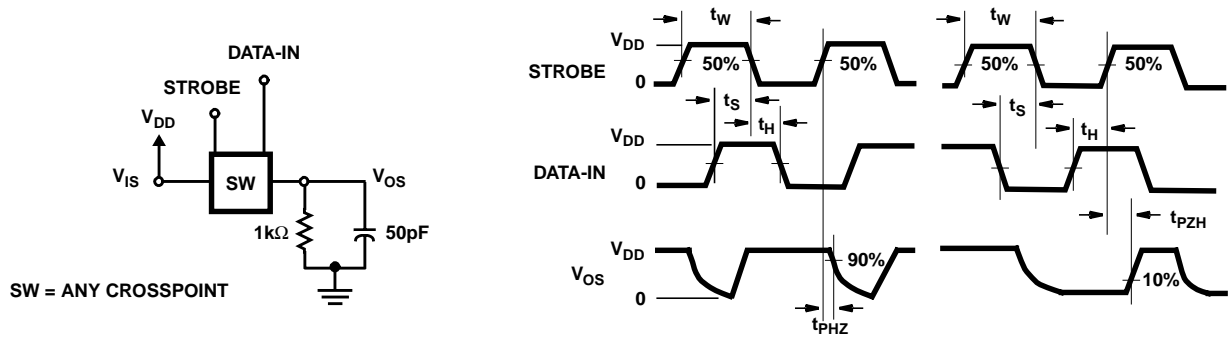


FIGURE 8. PROPAGATION DELAY TIME TEST CIRCUIT AND WAVEFORMS (STROBE TO SIGNAL OUTPUT, SWITCH TURN-ON OR TURN-OFF)

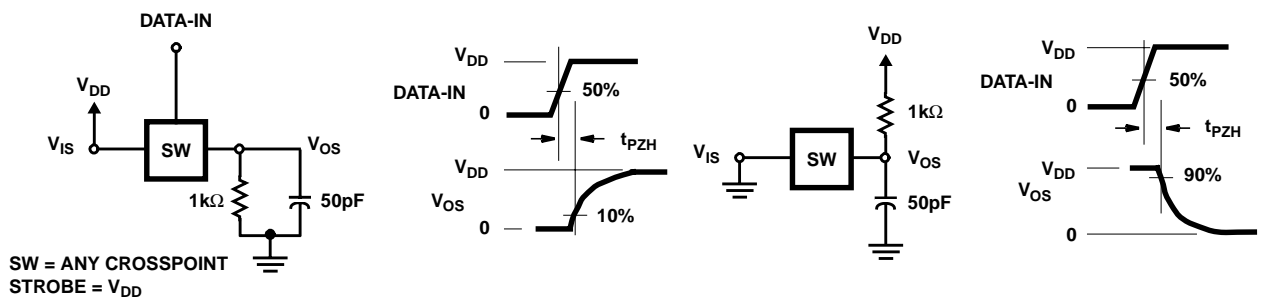


FIGURE 9. PROPAGATION DELAY TIME TEST CIRCUIT AND WAVEFORMS (DATA-IN TO SIGNAL OUTPUT, SWITCH TURN-ON TO HIGH OR LOW LEVEL)

Test Circuits and Waveforms (Continued)

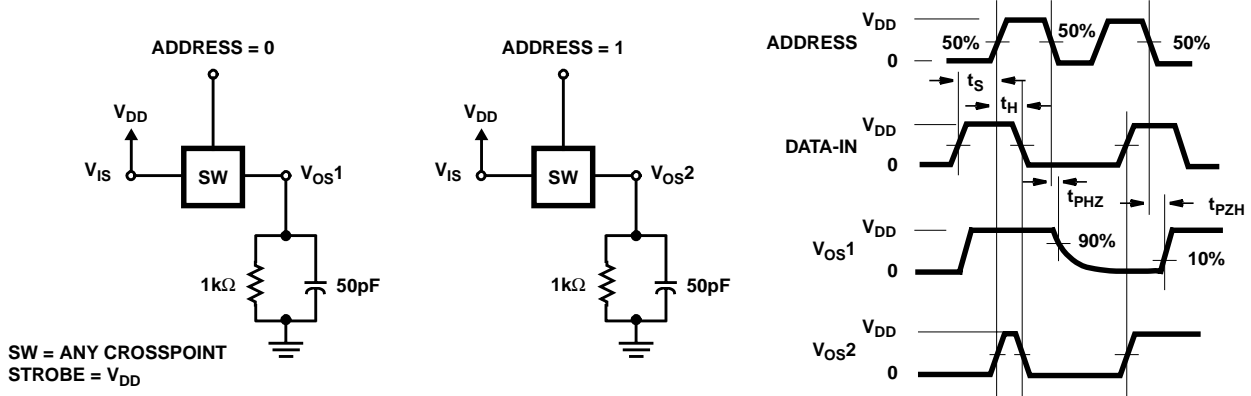


FIGURE 10. PROPAGATION DELAY TIME TEST CIRCUIT AND WAVEFORMS
(ADDRESS TO SIGNAL OUTPUT, SWITCH TURN-ON OR TURN-OFF)

Typical Performance Curves

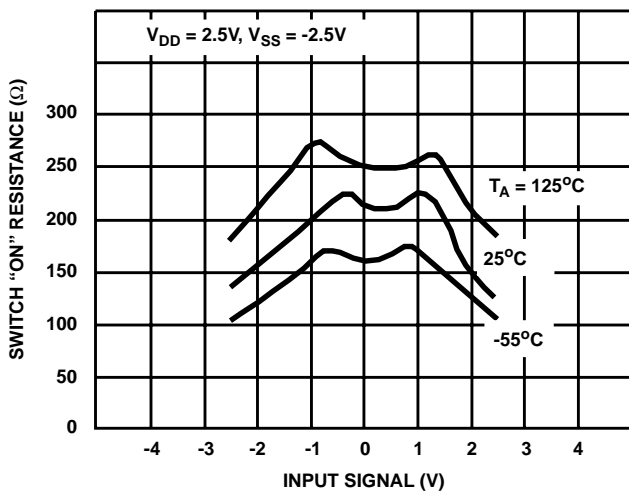


FIGURE 11. TYPICAL ON RESISTANCE AS A FUNCTION OF INPUT SIGNAL VOLTAGE AT $V_{DD} = -V_{SS} = 2.5V$

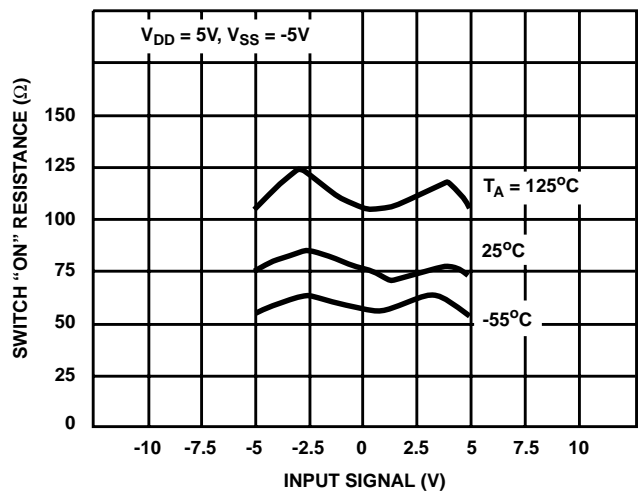


FIGURE 12. TYPICAL ON RESISTANCE AS A FUNCTION OF INPUT SIGNAL VOLTAGE AT $V_{DD} = -V_{SS} = 5V$

Typical Performance Curves (Continued)

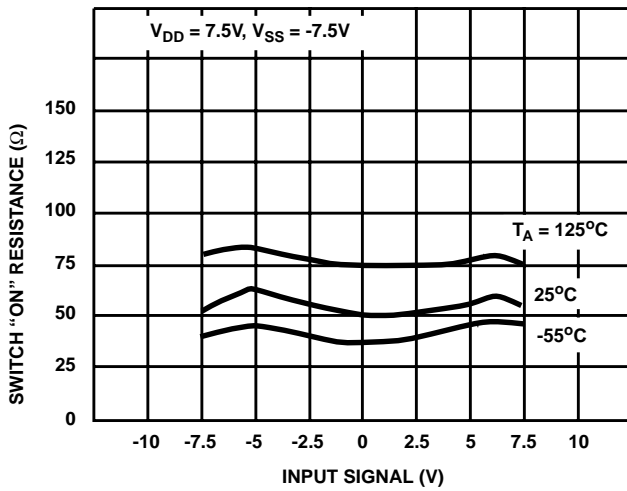


FIGURE 13. TYPICAL ON RESISTANCE AS A FUNCTION OF INPUT SIGNAL VOLTAGE AT $V_{DD} = -V_{SS} = 7.5V$

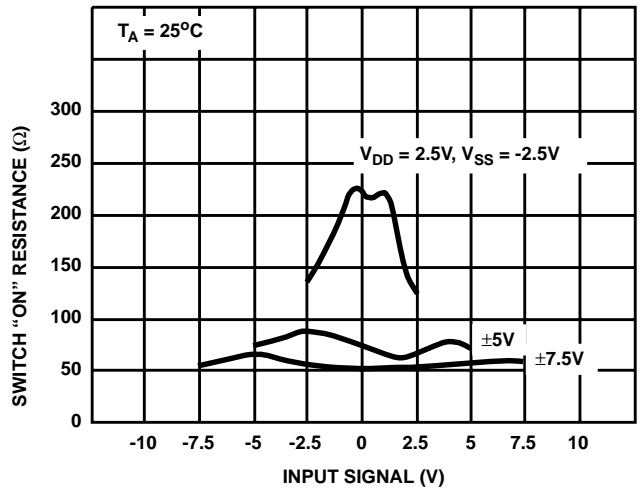


FIGURE 14. TYPICAL ON RESISTANCE AS A FUNCTION OF INPUT SIGNAL VOLTAGE AT $T_A = 25^\circ C$

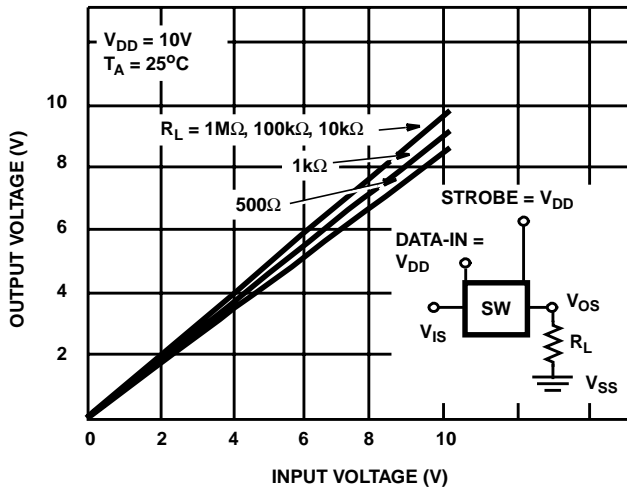


FIGURE 15. TYPICAL SWITCH ON TRANSFER CHARACTERISTICS (1 OF 16 SWITCHES)

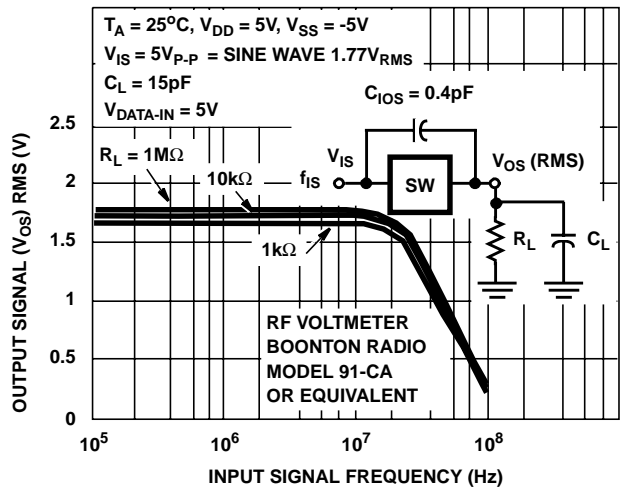


FIGURE 16. TYPICAL SWITCH ON FREQUENCY RESPONSE CHARACTERISTICS