

A

B

C

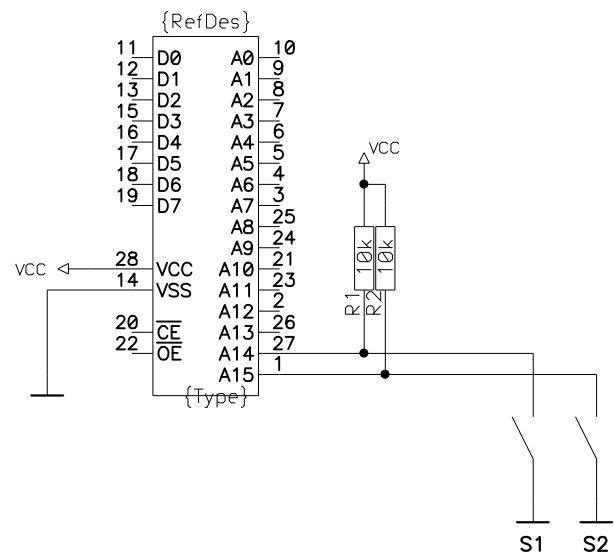
D

1


2

3

4



S1	S2	
0	0	orginele map
1	0	alternatieve map 1
0	1	alternatieve map 2
1	1	alternatieve map 3

File	Date
Project	Cust.
Title	
	Rev.
	Drawn by
	Sheet of

A

B

C

D

4