

B&W

TITLE

GENERAL ASSEMBLY

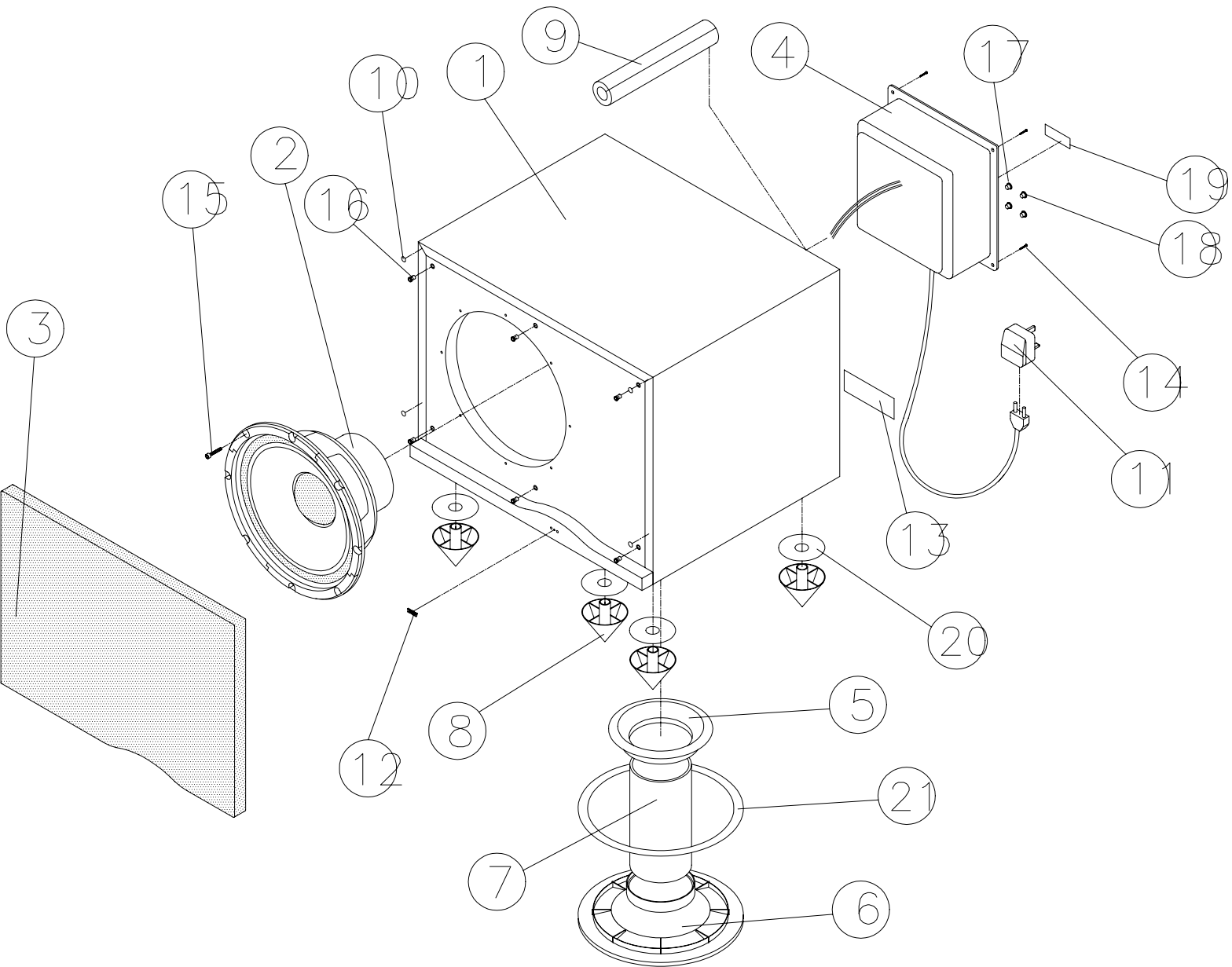
DRG. NO.

A 3589-1 -2

ISS

2

COPYRIGHT © 1998 DATE 12/02/98 DRAWN KW





TITLE

GEN ASSY PARTS LIST

DRG. NO.

A3589-2 -2

ISS

2

COPYRIGHT © 1997

DATE 25/06/97

DRAWN KW

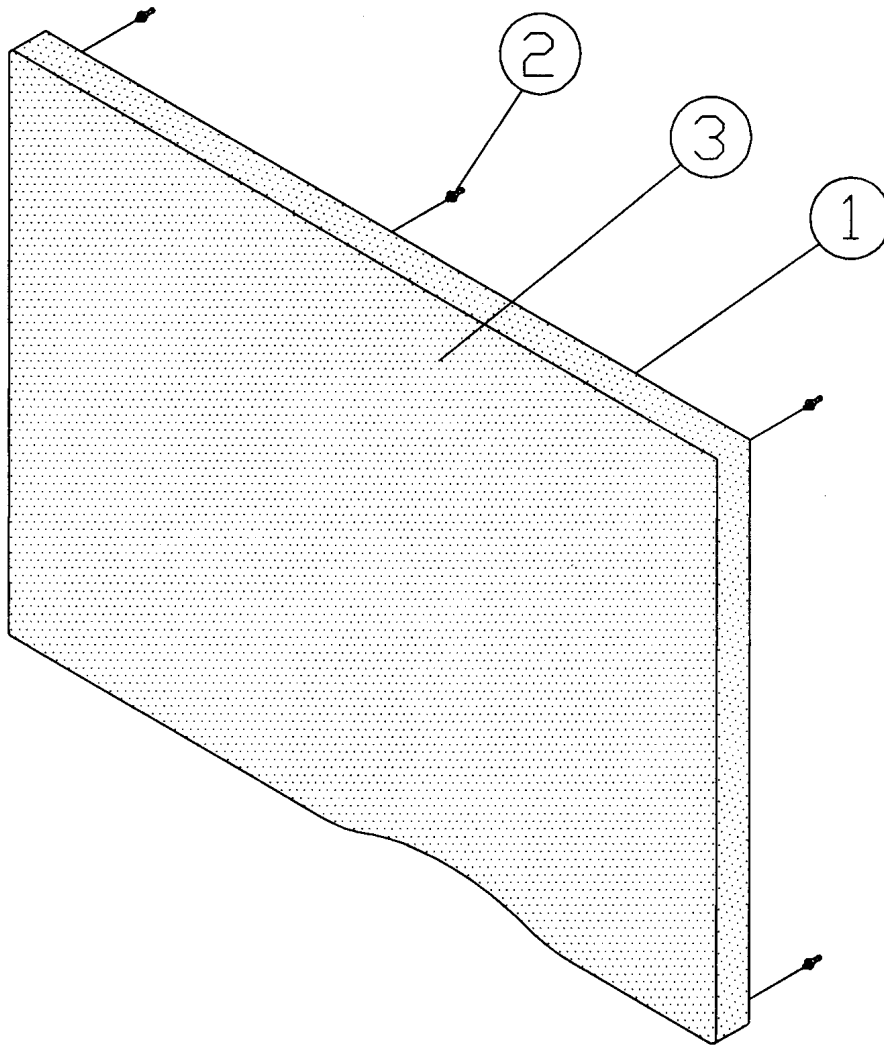
No.	QTY	CODE No.	DESCRIPTION	DRG. No.
		ASW1000-UK-B	Complete Assembly	A3589
1	1	Y10385	Cabinet	C3547
2	1	ZZ10580	Bass Unit	
3	1	ZG0688	Grille Assembly	A3591
4	1	A5147	Amplifier Module (UK & EC Type)	
4	1	A5257	Amplifier Module (US Type)	
5	1	P10749	Port Facia Inner	C3469
6	1	P10685	Port Facia	C3447
7	1	P12078	Port Tube	A3624
8	4	F1038	Feet	A3284
9	1	S7951	Foam Sleeving	
10	4	S6211	Suede Disks	PUR S6211
11	1	P2968	Euro Converter Plug (UK Only)	
12	1	B0868	Badge	A2478
13	1	S7897	Serial Label	
14	12	H1147	Screws (Amplifier) M4x20 Pan Pozi C/B	
15	8	H5533	Screws (Bass Unit) 6mm Cap HD Skt x 25	
16	6	P5606/F	Eelon Fixings	
17	4	P1709	Blanking Plugs (Red)	A3076
18	4	P1717	Blanking Plugs (Black)	A3076
19	1	L3034	CE Label (UK & EC Only)	
19	1	L8214	ETL Label (US Only)	
20	4	G5916	Foot Gasket	
21	1	G5924	Port Facia Gasket	



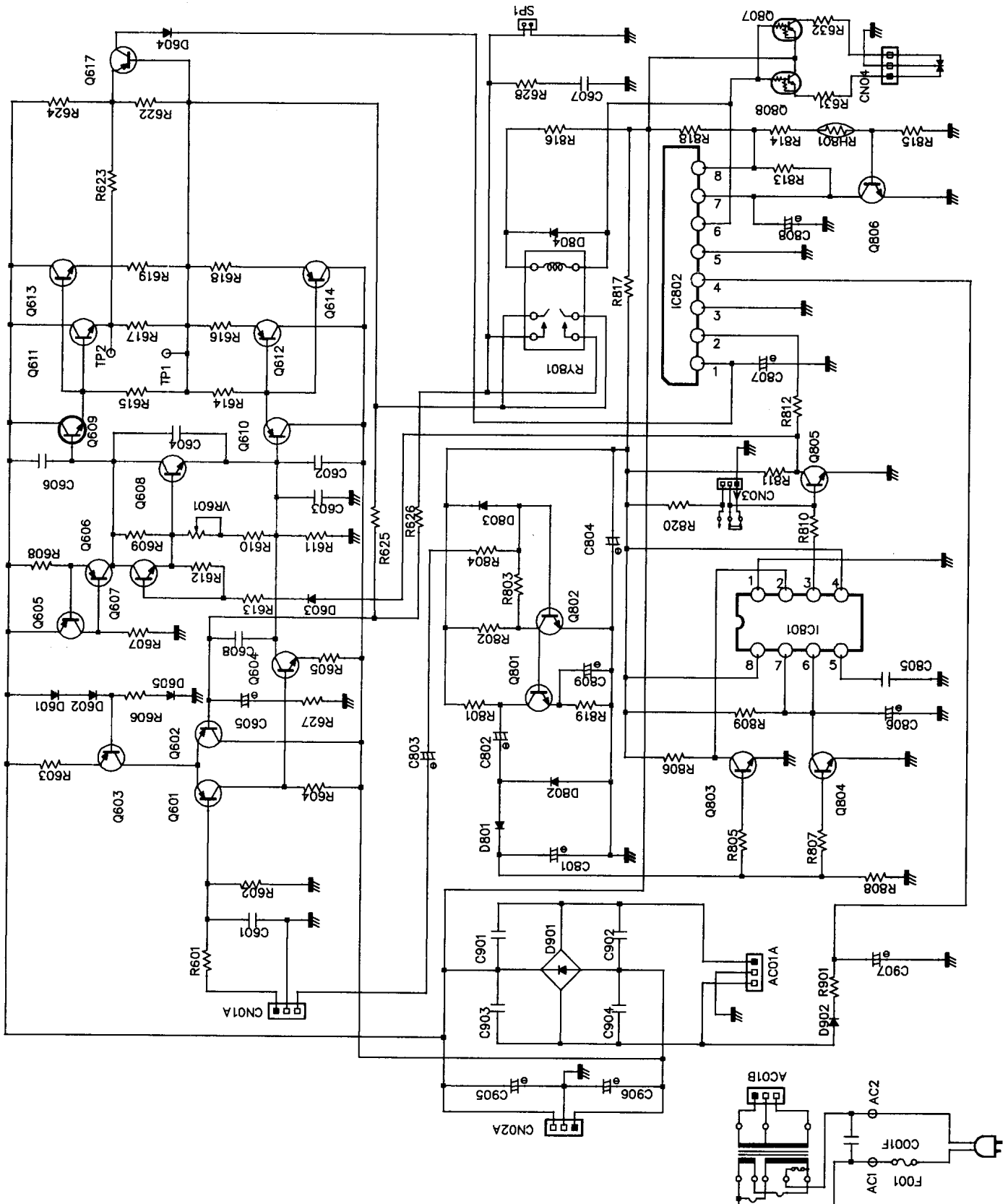
TITLE
ASW1000 GRILLE ASSEMBLY

DRG. NO. **A3591-1-1** ISS **1**

COPYRIGHT © 1997 DATE 25:6:97 DRAWN KW



No.	QTY	CODE	DESCRIPTION	DRG No.
		ZG0688	Complete Assembly	A3591
1	1	G5851	Grille Fret	
1	6	P5606	Eelon Fixing	
1		F9709	Grille Cloth E17	





TITLE **ASW 1000 POWER AMPLIFIER
PARTS LIST**

DRG NO.

ISSUE

A3643-24 (1)

DATE 25:6:97

© 1997

DRAWN KW

CODE No.	VALUE	REMARKS
C9385	ASW 1000 Power-Amp PCB	Loaded PCB Assembly
C001F	0.1uF	250V X Rated Capacitor
C601	1nF	50V Ceramic Capacitor
C602	150pF	50V Ceramic Capacitor
C603	330pF	50V Ceramic Capacitor
C604	10nF	50V Ceramic Capacitor
C605	220uF	25V Electrolytic Capacitor
C606	150pF	50V Ceramic Capacitor
C607	220nF	63V Polyester Capacitor
C608	15pF	50V Ceramic Capacitor
C801	10uF	50V Electrolytic Capacitor
C802	10uF	50V Electrolytic Capacitor
C803	2.2uF	50V Electrolytic Capacitor
C804	100uF	25V Electrolytic Capacitor
C805	10nF	50V Ceramic Capacitor
C806	220uF	16V Electrolytic Capacitor
C807	22uF	50V Electrolytic Capacitor
C808	33uF	50V Electrolytic Capacitor
C809	100uF	35V Electrolytic Capacitor
C901	10nF	500V Ceramic Capacitor
C902	10nF	500V Ceramic Capacitor
C903	10nF	500V Ceramic Capacitor
C904	10nF	500V Ceramic Capacitor
C905	6800uF	63V Electrolytic Capacitor
C906	6800uF	63V Electrolytic Capacitor
C907	10uF	50V Electrolytic Capacitor



TITLE **ASW 1000 POWER AMPLIFIER
PARTS LIST**

DRG NO.

ISSUE

DATE 25:6:97

© 1997

DRAWN KW

A3643-34 (1)

CODE No.	VALUE	REMARKS
D601	1N4148	Small Signal Diode
D602	1N4148	Small Signal Diode
D603	1N4148	Small Signal Diode
D604	1N4148	Small Signal Diode
D605	E822	Constant Current Diode
D801	1N4148	Small Signal Diode
D802	1N4148	Small Signal Diode
D803	1N4148	Small Signal Diode
D804	1N4148	Small Signal Diode
D901	PBPC803	Bridge Rectifier
D902	1N4003	1W Diode
IC801	NE555	Integrated Circuit
IC802	UPC1237H	Housekeeping IC
Q601	2SA1016F-T	PNP Transistor
Q602	2SA1016F-T	PNP Transistor
Q603	2SA1016F-T	PNP Transistor
Q604	2SC2910S-T	NPN Transistor
Q605	2SA1016F-T	PNP Transistor
Q606	2SA1208R-T	PNP Transistor
Q607	2SC536G-T	NPN Transistor
Q608	2SD600KE	NPN Transistor
Q609	2SD600KE	NPN Transistor
Q610	2SB631KE	PNP Transistor
Q611	2SD1047D	NPN Transistor
Q612	2SB817D	PNP Transistor
Q613	2SD1047D	NPN Transistor
Q614	2SB817D	PNP Transistor
Q617	2SA1016F-T	PNP Transistor
Q801	2SC536G-T	NPN Transistor
Q802	2SC536G-T	NPN Transistor
Q803	2SC536G-T	NPN Transistor
Q804	2SC536G-T	NPN Transistor
Q805	2SC536G-T	NPN Transistor
Q806	2SC536G-T	NPN Transistor
Q807	2SA1345-T	LED Driver
Q808	2SC3399-T	LED Driver



TITLE **ASW 1000 POWER AMPLIFIER
PARTS LIST**

DRG NO.

ISSUE

A3643-44 ①

DATE 25:6:97

© 1997

DRAWN KW

CODE No.	VALUE	REMARKS
R601	1K	0.5 Watt 1% Metal Film Resistor
R602	100K	0.5 Watt 1% Metal Film Resistor
R603	475R	0.5 Watt 1% Metal Film Resistor
R604	1K5	0.5 Watt 1% Metal Film Resistor
R605	33R2	0.5 Watt 1% Metal Film Resistor
R606	3K92	0.5 Watt 1% Metal Film Resistor
R607	10K	0.5 Watt 1% Metal Film Resistor
R608	100R	0.5 Watt 1% Metal Film Resistor
R609	8K25	0.5 Watt 1% Metal Film Resistor
R610	1K82	0.5 Watt 1% Metal Film Resistor
R611	33K2	0.5 Watt 1% Metal Film Resistor
R612	22K1	0.5 Watt 1% Metal Film Resistor
R613	221K	0.5 Watt 1% Metal Film Resistor
R614	220R	1W 5% Wire Wound Resistor
R615	220R	1W 5% Wire Wound Resistor
R616	R22	2W 5% Wire Wound Resistor
R617	R22	2W 5% Wire Wound Resistor
R618	R22	2W 5% Wire Wound Resistor
R619	R22	2W 5% Wire Wound Resistor
R622	22K1	0.5 Watt 1% Metal Film Resistor
R623	47R5	0.5 Watt 1% Metal Film Resistor
R624	22K1	0.5 Watt 1% Metal Film Resistor
R625	27K4	0.5 Watt 1% Metal Film Resistor
R626	27K4	0.5 Watt 1% Metal Film Resistor
R627	1K21	0.5 Watt 1% Metal Film Resistor
R628	10R	1W 5% Wire Wound Resistor
R631	5K6	1W 5% Wire Wound Resistor
R632	5K6	1W 5% Wire Wound Resistor
R801	10K	0.5 Watt 1% Metal Film Resistor
R802	68K1	0.5 Watt 1% Metal Film Resistor
R803	221K	0.5 Watt 1% Metal Film Resistor
R804	2K21	0.5 Watt 1% Metal Film Resistor
R805	150K	0.5 Watt 1% Metal Film Resistor
R806	1M	0.5 Watt 1% Metal Film Resistor
R807	150K	0.5 Watt 1% Metal Film Resistor
R808	10K	0.5 Watt 1% Metal Film Resistor
R809	25K	0.5 Watt 1% Metal Film Resistor
R810	100K	0.5 Watt 1% Metal Film Resistor
R811	10K	0.5 Watt 1% Metal Film Resistor
R812	100K	0.5 Watt 1% Metal Film Resistor
R813	121K	0.5 Watt 1% Metal Film Resistor
R814	8K25	0.5 Watt 1% Metal Film Resistor
R815	2K43	0.5 Watt 1% Metal Film Resistor
R816	820R	0.5 Watt 1% Metal Film Resistor
R817	5K6	2 Watt 5% Wire Wound Resistor
R818	18K2	0.5 Watt 1% Metal Film Resistor
R820	100K	0.5 Watt 1% Metal Film Resistor
RH801	TD5C350D	Thermistor
RY801		SPND 24V Relay

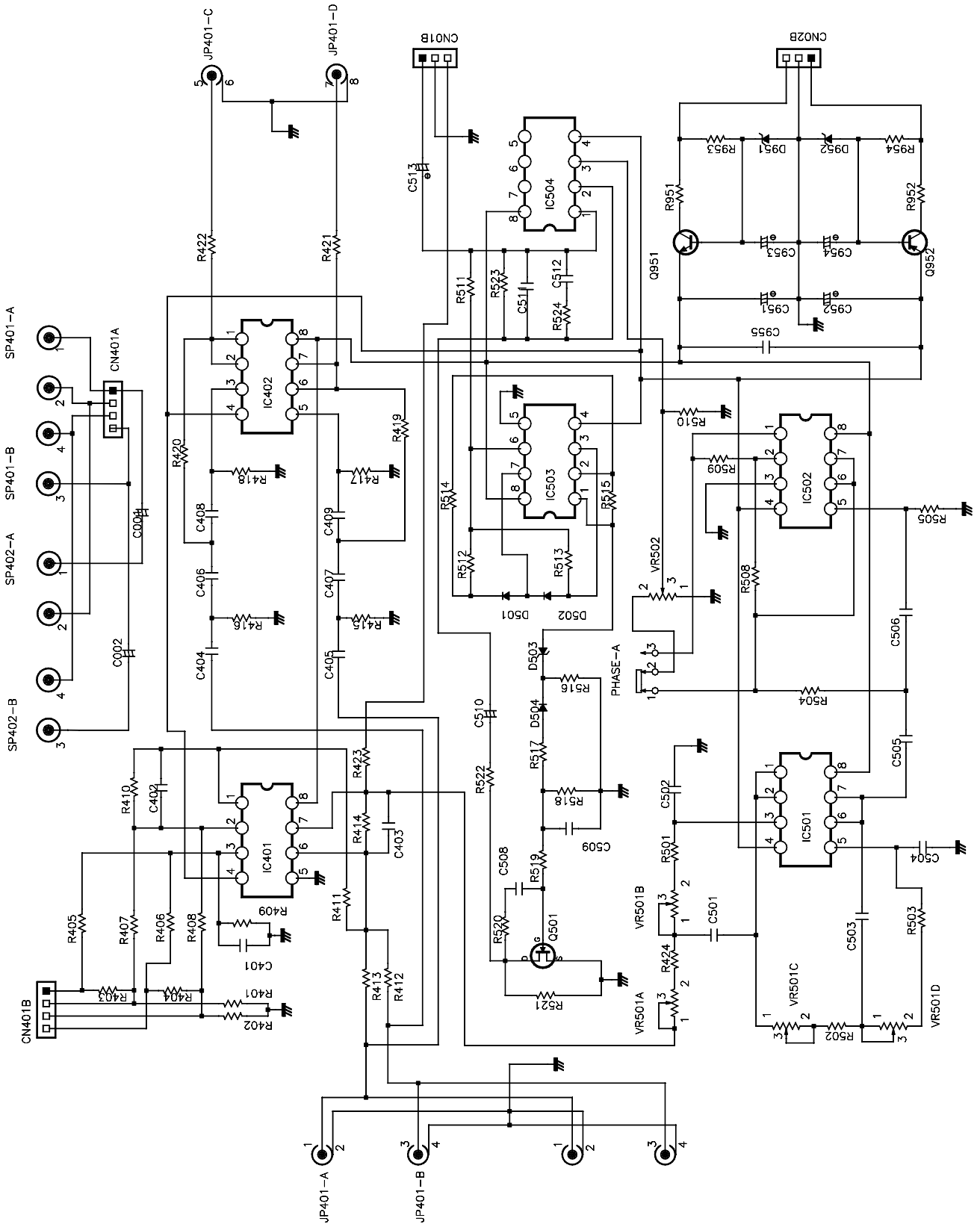


TITLE
PREAMP PARTS LIST

DRG. NO.
A3772-1 -5

ISS
1

COPYRIGHT © 1997 DATE 09/12/97 DRAWN KW





TITLE **ASW 1000 PRE- AMPLIFIER
PARTS LIST**

DRG NO.

ISSUE

DATE 25:6:97

© 1997

DRAWN KW

A3670-25 ①

CODE No.	VALUE	REMARKS
A5147		Complete Assembly
B4863	Knob ASW	
B4871	Switch Power ASW	
C9385	ASW 1000 Pre-Amp PCB	Loaded PCB Assembly
C001	220uF	100V Bipolar Electrolytic Capacitor
C002	220uF	100V Bipolar Electrolytic Capacitor
C401	22nF	63V Polyester Capacitor
C402	22nF	63V Polyester Capacitor
C403	10nF	63V Polyester Capacitor
C404	220nF	63V Polyester Capacitor
C405	220nF	63V Polyester Capacitor
C406	220nF	63V Polyester Capacitor
C407	220nF	63V Polyester Capacitor
C408	220nF	63V Polyester Capacitor
C409	220nF	63V Polyester Capacitor
C501	220nF	63V Polyester Capacitor
C502	82nF	63V Polyester Capacitor
C503	220nF	63V Polyester Capacitor
C504	82nF	63V Polyester Capacitor
C505	470nF	63V Polyester Capacitor
C506	470nF	63V Polyester Capacitor
C508	220nF	63V Polyester Capacitor
C509	47nF	63V Polyester Capacitor
C510	100uF	50V Bipolar Electrolytic Capacitor
C511	22pF	50V Ceramic Capacitor
C512	22nF	63V Polyester Capacitor
C513	10uF	50V Electrolytic Capacitor
C951	100uF	25V Electrolytic Capacitor
C952	100uF	25V Electrolytic Capacitor
C953	470uF	25V Electrolytic Capacitor
C954	470uF	25V Electrolytic Capacitor
C955	10nF	50V Ceramic Capacitor
VR501	20K	4 Gang Linear Potentiometer
VR502	10K	Logarithmic Potentiometer



TITLE

PREAMP PARTS LIST

DRG. NO.

A3772-3 -5

ISS

1

COPYRIGHT © 1997

DATE 09/12/97

DRAWN KW

CODE No.	VALUE	REMARKS
D501	1N4148	Small Signal Diode
D502	1N4148	Small Signal Diode
D503	5V6	5% 400mW Zener Diode
D504	1N4148	Small Signal Diode
D951	15V0	5% 400mW Zener Diode
D952	15V0	5% 400mW Zener Diode
IC401	TL072CP	Dual Low Noise Op-Amp
IC402	TL072CP	Dual Low Noise Op-Amp
IC501	TL072CP	Dual Low Noise Op-Amp
IC502	TL072CP	Dual Low Noise Op-Amp
IC503	TL072CP	Dual Low Noise Op-Amp
IC504	TL072CP	Dual Low Noise Op-Amp



TITLE
PREAMP PARTS LIST

DRG. NO. A3772-4 -5
ISS (1)

COPYRIGHT © 1997 DATE 09/12/97 DRAWN KW

CODE No.	VALUE	REMARKS
Q501	J113	J-FET (Siliconix)
Q951	2SD600KE	Small Signal NPN Bipolar Transistor
Q952	2SB631KE	Small Signal PNP Bipolar Transistor
R401	8K2	0.5 Watt 1% Metal Film Resistor
R402	8K2	0.5 Watt 1% Metal Film Resistor
R403	18K2	0.5 Watt 1% Metal Film Resistor
R404	18K2	0.5 Watt 1% Metal Film Resistor
R405	100K	0.5 Watt 1% Metal Film Resistor
R406	100K	0.5 Watt 1% Metal Film Resistor
R407	100K	0.5 Watt 1% Metal Film Resistor
R408	100K	0.5 Watt 1% Metal Film Resistor
R409	4K75	0.5 Watt 1% Metal Film Resistor
R410	4K75	0.5 Watt 1% Metal Film Resistor
R411	33K2	0.5 Watt 1% Metal Film Resistor
R412	22K1	0.5 Watt 1% Metal Film Resistor
R413	22K1	0.5 Watt 1% Metal Film Resistor
R414	24K3	0.5 Watt 1% Metal Film Resistor
R415	9K09	0.5 Watt 1% Metal Film Resistor
R416	9K09	0.5 Watt 1% Metal Film Resistor
R417	35K7	0.5 Watt 1% Metal Film Resistor
R418	35K7	0.5 Watt 1% Metal Film Resistor
R419	5K62	0.5 Watt 1% Metal Film Resistor
R420	5K62	0.5 Watt 1% Metal Film Resistor
R421	100R	0.5 Watt 1% Metal Film Resistor
R422	100R	0.5 Watt 1% Metal Film Resistor
R423	47K5	0.5 Watt 1% Metal Film Resistor
R424	7K5	0.5 Watt 1% Metal Film Resistor



TITLE

PREAMP PARTS LIST

DRG. NO.

A3772-5 -5

ISS

2

COPYRIGHT © 1997

DATE 09/12/97

DRAWN KW

CODE No.	VALUE	REMARKS
R501	7K5	0.5 Watt 1% Metal Film Resistor
R502	7K5	0.5 Watt 1% Metal Film Resistor
R503	7K5	0.5 Watt 1% Metal Film Resistor
R504	4K75	0.5 Watt 1% Metal Film Resistor
R505	68K1	0.5 Watt 1% Metal Film Resistor
R508	10K	0.5 Watt 1% Metal Film Resistor
R509	10K	0.5 Watt 1% Metal Film Resistor
R510	22K1	0.5 Watt 1% Metal Film Resistor
R511	22K1	0.5 Watt 1% Metal Film Resistor
R512	61K9	0.5 Watt 1% Metal Film Resistor
R513	61K9	0.5 Watt 1% Metal Film Resistor
R514	61K9	0.5 Watt 1% Metal Film Resistor
R515	61K9	0.5 Watt 1% Metal Film Resistor
R516	10K	0.5 Watt 1% Metal Film Resistor
R517	110R	0.5 Watt 1% Metal Film Resistor
R518	10K	0.5 Watt 1% Metal Film Resistor
R519	221K	0.5 Watt 1% Metal Film Resistor
R520	22K1	0.5 Watt 1% Metal Film Resistor
R521	10K	0.5 Watt 1% Metal Film Resistor
R522	1K	0.5 Watt 1% Metal Film Resistor
R523	10K	0.5 Watt 1% Metal Film Resistor
R524	2K21	0.5 Watt 1% Metal Film Resistor
R951	330R	0.5 Watt 5% Wire Wound Resistor
R952	330R	0.5 Watt 5% Wire Wound Resistor
R953	3K9	1 Watt 5% Wire Wound Resistor
R954	3K9	1 Watt 5% Wire Wound Resistor