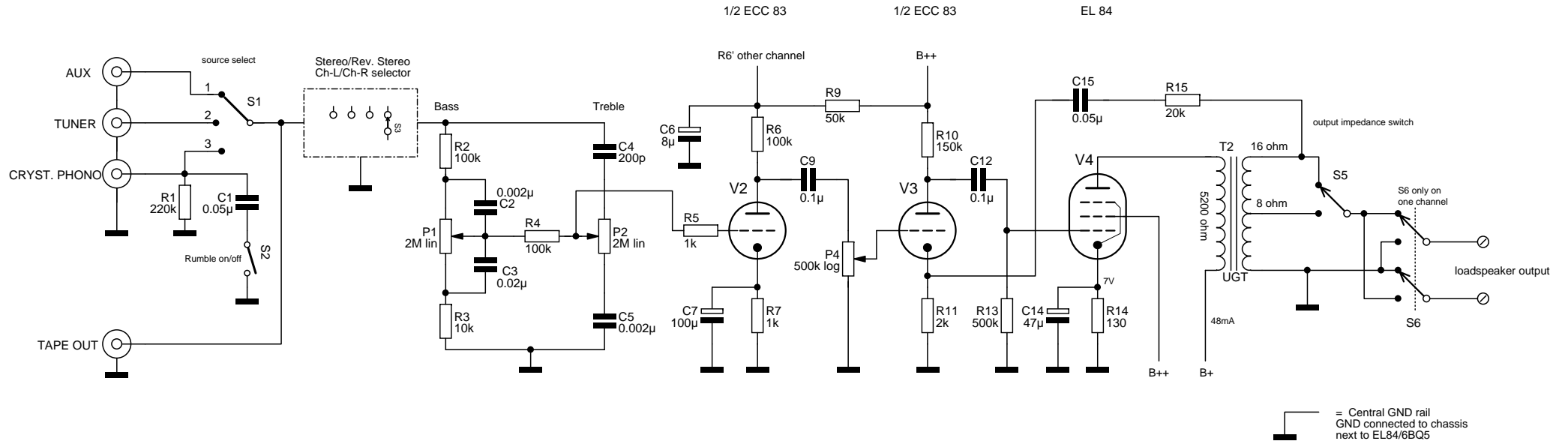


# Kontakt KT-7 Amplifier

## 6W Single Ended EL84 stereo amplifier

Only one channel shown



= Central GND rail  
 GND connected to chassis  
 next to EL84/6BQ5

