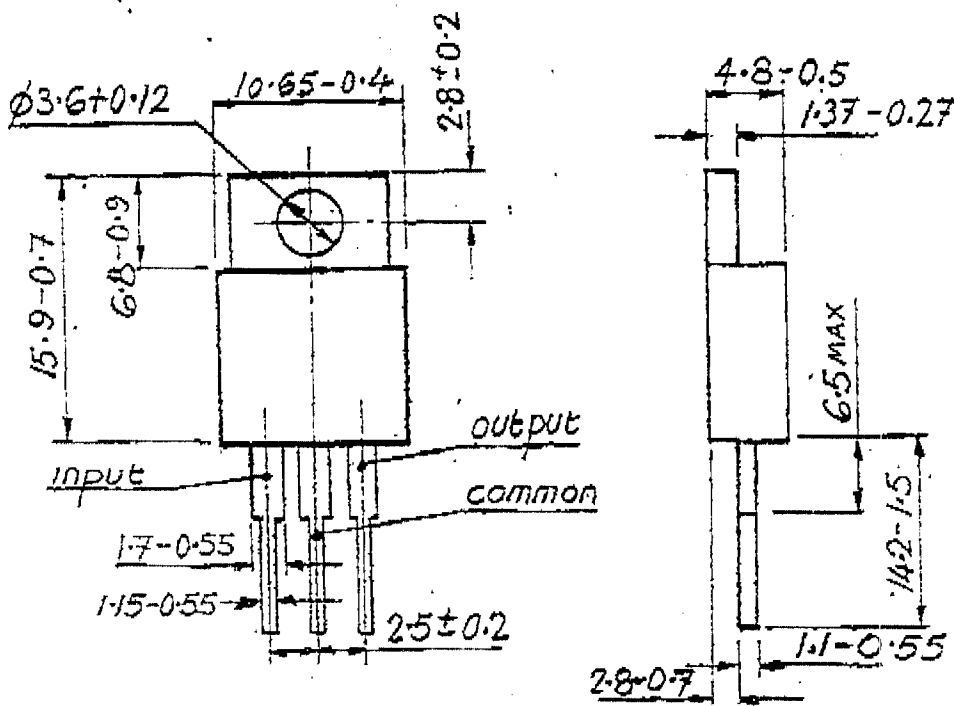


Voltage Regulator 3 Terminal Positive, Type 7805C



- Absolute maximum values,**
1. Input Voltage
 2. Internal power Dissipation
 3. Operating Junction Temperature

Case TO220
35V
 Internally limited
 0 to + 150 centigrade

Electrical Characteristics

$V_{in} = 10 \text{ V. } I_{out} = 500 \text{ mA.}$
 $0 \text{ deg. C} = T_j = 125 \text{ deg. C}$

Parameter	Condition	Min.	Typical	Max.	Units
4. Output Voltage	$T_j = 25 \text{ C}$	4.8	5.0	5.2	V
5. Line Regulation	$T_j = 25 \text{ C. } 7 \text{ V} \leq V_{in} \leq 25 \text{ V}$			100	mV
				50	mV
6. Load Regulation	$T_j = 25 \text{ C}$			100	mV
		$5 \text{ mA} \leq I_{out} \leq 1.5 \text{ A}$			50
7. Quiescent Current	$T_j = 25 \text{ C}$			8.0	mA
8. Dropout Voltage	$I_{out} = 1.0 \text{ A. } T_j = 25 \text{ C}$		2.0		V
9. Peak Output Current	$T_j = 25 \text{ C}$		2.2		A