

3-Channel High-Current Low-Saturation Driver

■ FEATURES

- 3-Channel Magnet Driver.
- High Current (2.0A Max.) and Low Saturation Voltage (1.5V).
- Parallel Operation Capability (Channel 1+2).
- On-Chip Spark Killer Diodes.

■ APPLICATIONS

- Stepping Motor Driver
- Relay Driver.
- LED Driver.
- Solenoid Driver.

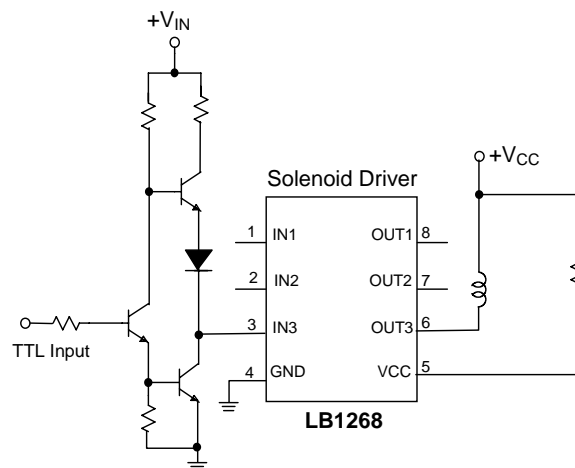
■ DESCRIPTION

The LB1268 is a 3-channel, low saturation voltage and high current source driver ideally for switching high-power loads from logical level TTL, or CMOS.

Both ch1 and ch2 can manage loads up to 1.0A to ch1 and ch2, ch3 can switch up to 2.0A respectively.

The LB1268 is fully compatible with LB1268 from Sanyo Company and available in the 8-pin DIP and SOP-8 package.

■ TYPICAL APPLICATION CIRCUIT

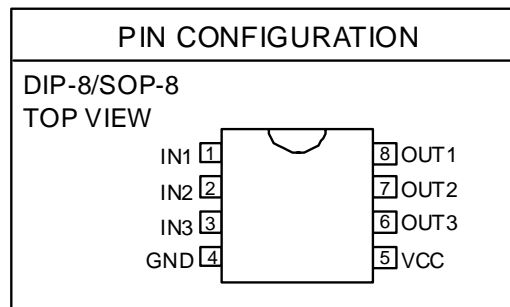


ORDERING INFORMATION

LB1268XXXX

PACKING TYPE
 TB: TUBE
 TR: Tape & Reel
 PACKAGE TYPE
 N: DIP-8
 S: SOP-8

 C: COMMERCIAL
 P: LEAD FREE COMMERCIAL
 G: GREEN PACKAGE



Example: LB1268CNTB

→ in DIP-8 Package & Tube
Packing Type

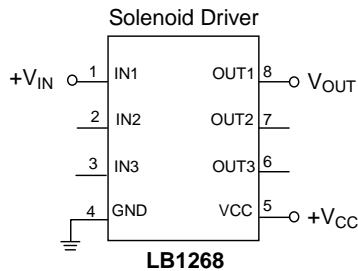
LB1268PNTB

→ in Lead Free DIP-8 Package &
Tube Packing Type

ABSOLUTE MAXIMUM RATINGS

Supply Voltage (V _{CC})	8V
Output Supply Voltage	10.0V
Input Supply Voltage	12.0V
Output Current	
I _{OUT1} T _{ON} ≤50mS, Duty=20%, Solenoid Drive Channel (ch1, 2)	1A
I _{OUT2} T _{ON} ≤50mS, Duty=5%, Motor Drive Channel (ch3)	2.5A
Spark Killer Diode Forward Current	
I _{FSM1} T _S ≤5mS, Duty=5%, Solenoid Drive Channel (ch1, 2)	1A
I _{FSM2} T _S ≤5mS, Duty=5%, Motor Drive Channel (ch3)	2.5A
V _{CC} Instantaneous Flow-out Current (T _S ≤5mS, Duty=5%)	3A
GND Flow-out Current (T _S ≤50mS, Duty=20%)	3A
Power Dissipation	785mW
Operating Temperature Range	-40°C to 85°C
Maximum Junction Temperature	125°C
Storage Temperature Range	-65°C to 150°C
Lead Temperature (Soldering, 10 sec)	260°C

Absolute Maximum Ratings are those values beyond which the life of a device may be impaired.

TEST CIRCUIT

ELECTRICAL CHARACTERISTICS (T_A=25°C) (Note1)

PARAMETER	TEST CONDITIONS	SYMBOL	MIN.	TYP.	MAX.	UNIT
Output Voltage	V _{IN} =4.5V, V _{CC} =5.0V, I _{OUT} =500mA (ch1, 2)	V _{OH1}		0.44	0.65	V
	V _{IN} =6.0V, V _{CC} =7.0V, I _{OUT} =1000mA (ch1, 2)	V _{OH2}		0.88	1.4	V
	V _{IN} =6.0V, V _{CC} =7.0V, I _{OUT} =1600mA (ch1, 2 parallel)	V _{OH3}			1.4	V
	V _{IN} =3.0V, V _{CC} =3.0V, I _{OUT} =300mA (ch3)	V _{OH4}		0.19	0.25	V
	V _{IN} =4.5V, V _{CC} =5.0V, I _{OUT} =1000mA (ch3)	V _{OH5}		0.5	0.7	V
	V _{IN} =6.0V, V _{CC} =7.0V, I _{OUT} =2000mA (ch3)	V _{OH6}		1.0	1.5	V
Input Current	V _{IN} =6.0V (ch1, 2)	I _{IN1}			1.0	mA
	V _{IN} =6.0V (ch3)	I _{IN2}			2.0	mA
Power Source + Output Leakage Current	V _{IN} =0.5V, V _{OUT} =V _{CC} =6.0V	I _{OFF}			30	μA
Spark Killer Diode Forward Voltage	I _F =1000mA (ch1, 2)	V _{F1}			3.0	V
	I _F =2000mA (ch3)	V _{F2}			3.0	V
Output Sustain Voltage	I _{OUT} =400mA	V _{O(SUS)}	10			V

Note 1: Specifications are production tested at T_A=25°C. Specifications over the -40°C to 85°C operating temperature range are assured by design, characterization and correlation with Statistical Quality Controls (SQC).

TYPICAL PERFORMANCE CHARACTERISTICS

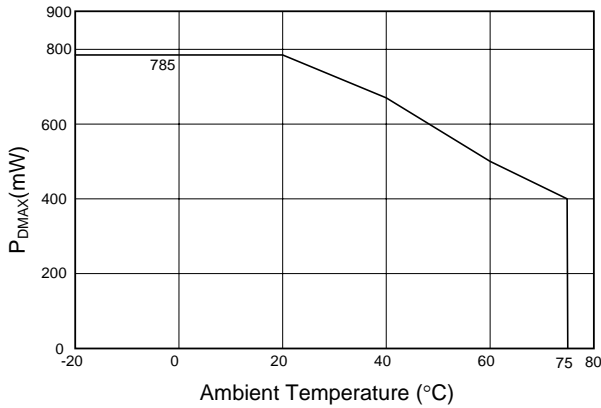
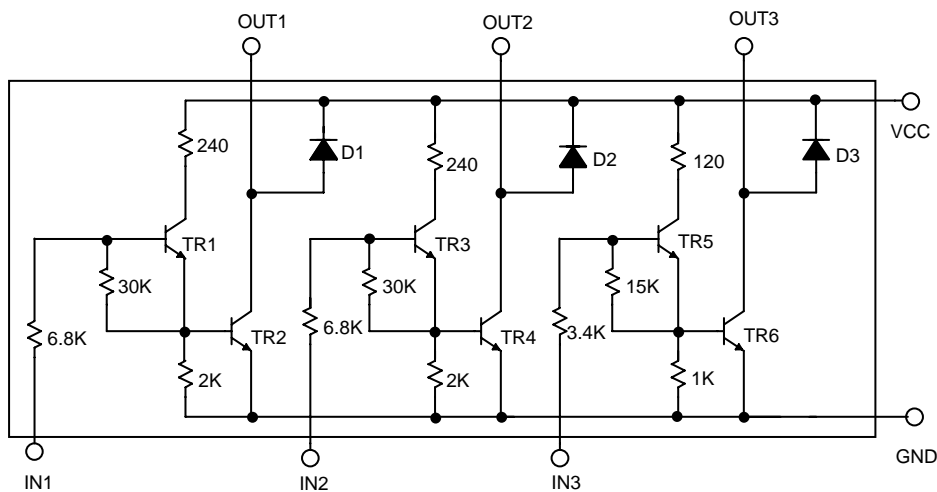


Fig. 1 Allowable Power Dissipation vs Temperature

BLOCK DIAGRAM

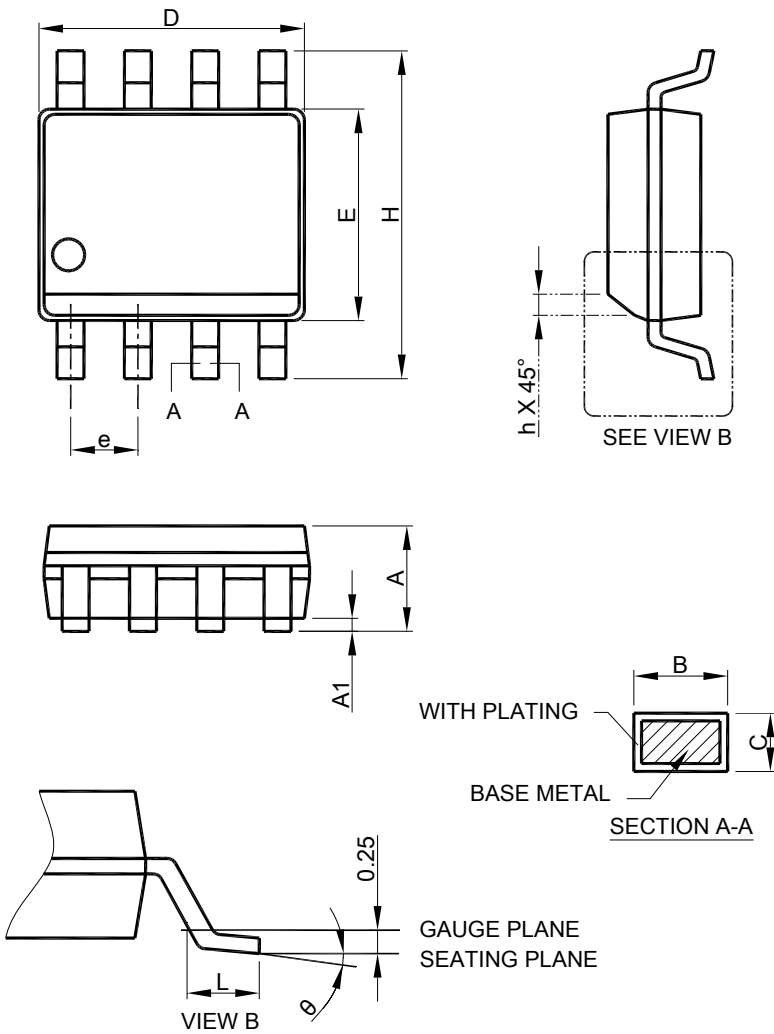


PIN DESCRIPTIONS

- PIN 1~3: IN1~IN3 - Control signal input pin.
- PIN 4: GND - Power ground.
- PIN 5: VCC - The output pin (Cathode) of freewheeling diode.
- PIN 6~8: OUT1~3 - Each of the pins may individually sink load current from some controlled circuits.

PHYSICAL DIMENSIONS (unit: mm)

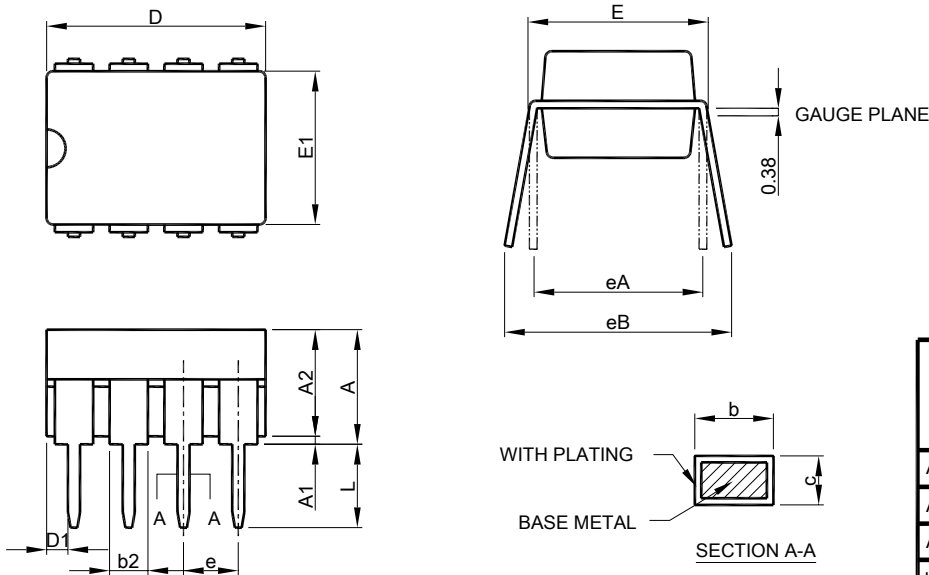
● SOP-8



SYMBOL	SOP-8	
	MILLIMETERS	
	MIN.	MAX.
A	1.35	1.75
A1	0.10	0.25
B	0.33	0.51
C	0.19	0.25
D	4.80	5.00
E	3.80	4.00
e	1.27 BSC	
H	5.80	6.20
h	0.25	0.50
L	0.40	1.27
θ	0°	8°

- Note: 1. Refer to JEDEC MS-012AA.
 2. Dimension "D" does not include mold flash, protrusions or gate burrs. Mold flash, protrusion or gate burrs shall not exceed 6 mil per side.
 3. Dimension "E" does not include inter-lead flash or protrusions.
 4. Controlling dimension is millimeter, converted inch dimensions are not necessarily exact.

● DIP-8



SYMBOL	DIP-8	
	MILLIMETERS	
	MIN.	MAX.
A		5.33
A1	0.38	
A2	2.92	4.95
b	0.36	0.56
b2	1.14	1.78
c	0.20	0.35
D	9.01	10.16
D1	0.13	
E	7.62	8.26
E1	6.10	7.11
e	2.54 BSC	
eA	7.62 BSC	
eB		10.92
L	2.92	3.81

- Note: 1. Refer to JEDEC MS-001BA
 2. Dimension "D" does not include mold flash, protrusions or gate burrs. Mold flash, protrusion or gate burrs shall not exceed 10 mil per side .
 3. Dimension "D1" and "E1" do not include inter-lead flash or protrusions.
 4. Controlling dimension is millimeter, converted inch dimensions are not necessarily exact.

Note:

Information provided by AIC is believed to be accurate and reliable. However, we cannot assume responsibility for use of any circuitry other than circuitry entirely embodied in an AIC product; nor for any infringement of patents or other rights of third parties that may result from its use. We reserve the right to change the circuitry and specifications without notice.

Life Support Policy: AIC does not authorize any AIC product for use in life support devices and/or systems. Life support devices or systems are devices or systems which, (i) are intended for surgical implant into the body or (ii) support or sustain life, and whose failure to perform, when properly used in accordance with instructions for use provided in the labeling, can be reasonably expected to result in a significant injury to the user.