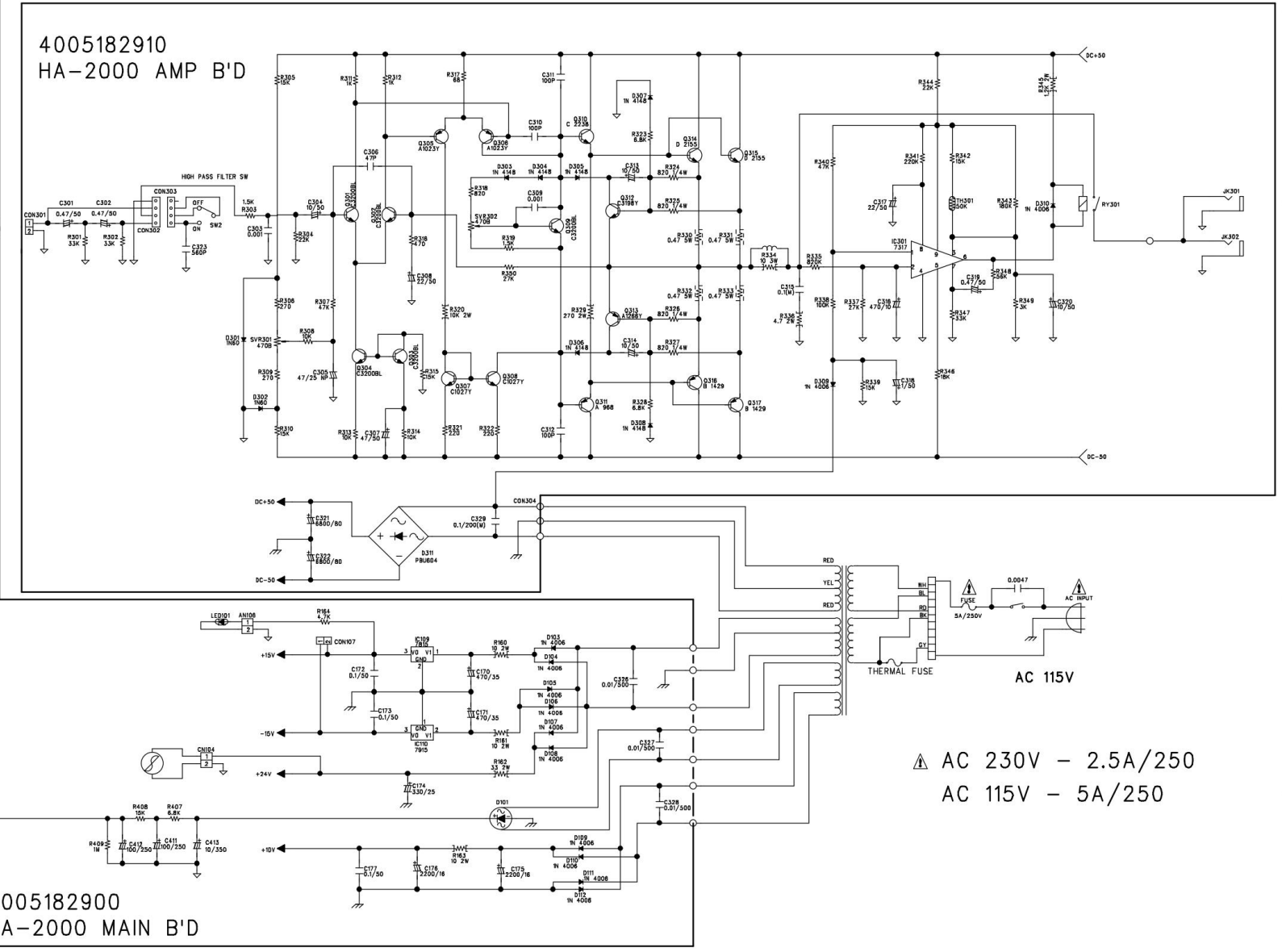
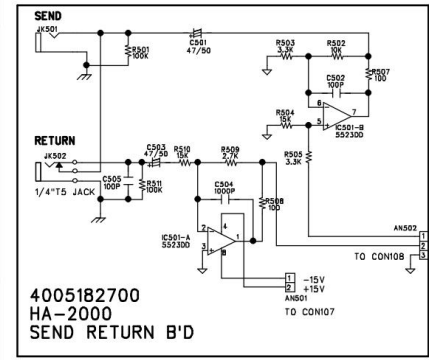
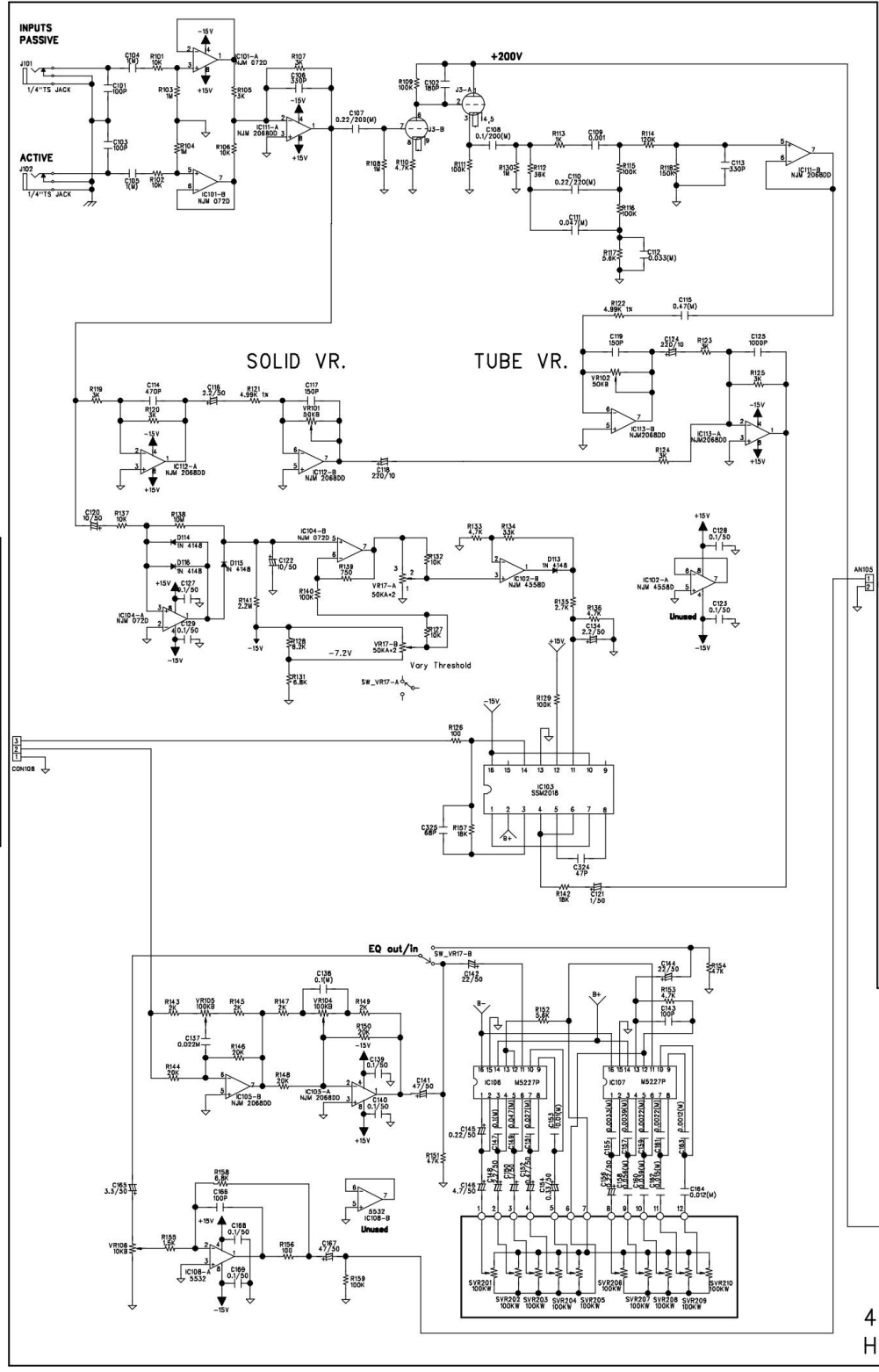


COMPANY	SAMSON	APPLICANT	REVISED NUMBER AND DATE	DRAWN	CHECKED	APPROVED	NOTE
TYPE CODE	PS	1.	4.	7.			
APPROVED DATE	01.11.30	2.	5.	8.			
		3.	6.	9.			



⚠ AC 230V - 2.5A/250
AC 115V - 5A/250