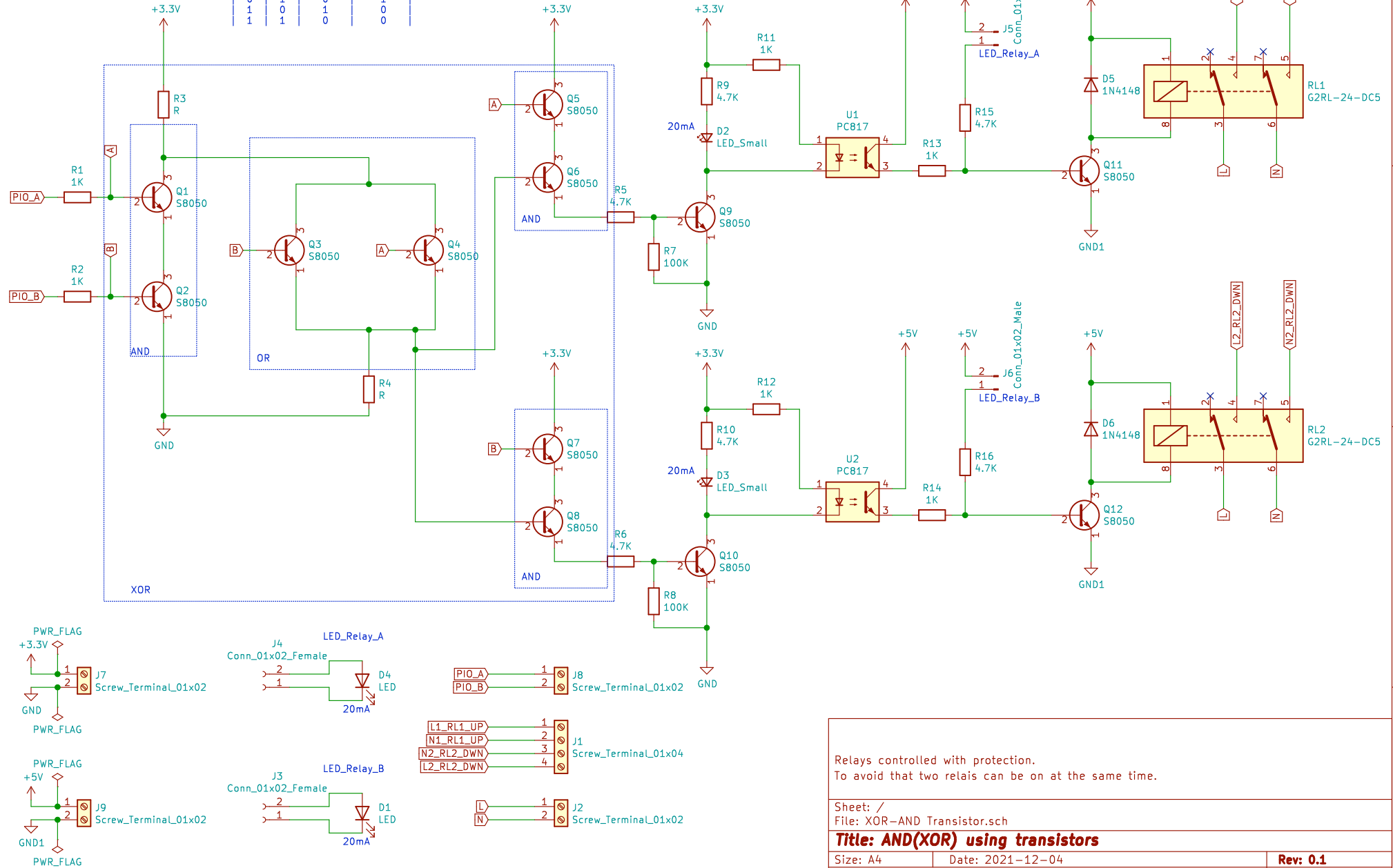


An AND(XOR) circuit to protect the relays to be ON at the same moment.

Truth Table:

A	B	REL_A	REL_B
0	0	0	0
0	1	0	1
1	0	1	0
1	1	0	0



Relays controlled with protection.  
To avoid that two relays can be on at the same time.

Sheet: /  
File: XOR-AND Transistor.sch

**Title: AND(XOR) using transistors**

Size: A4 Date: 2021-12-04  
KiCad E.D.A. kicad (5.1.12-1-10\_14)

Rev: 0.1  
Id: 1/1