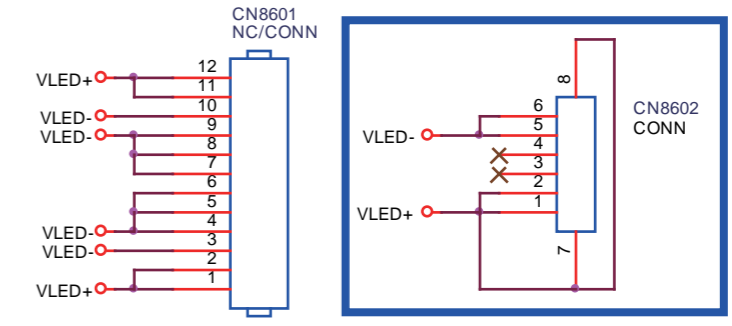
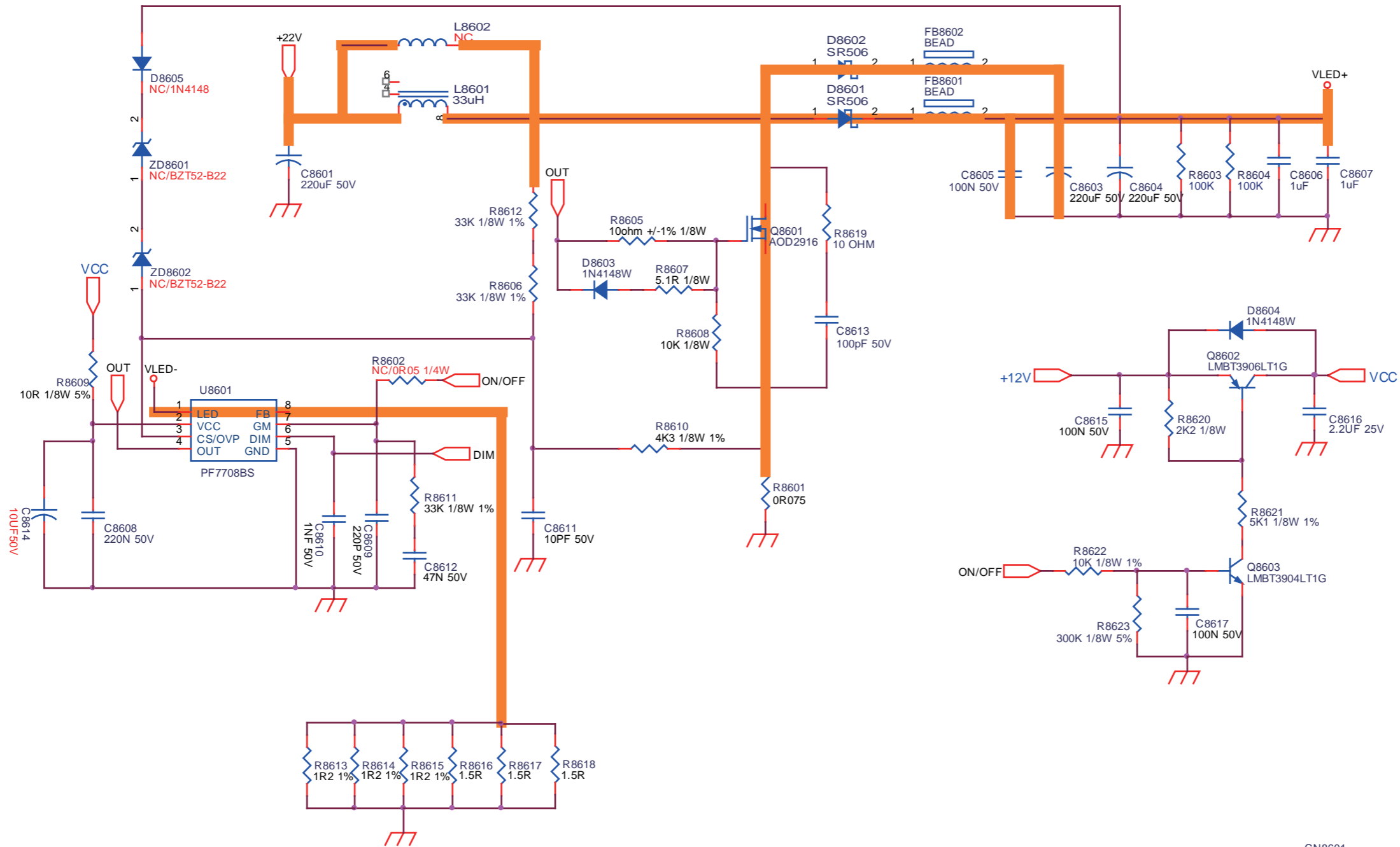


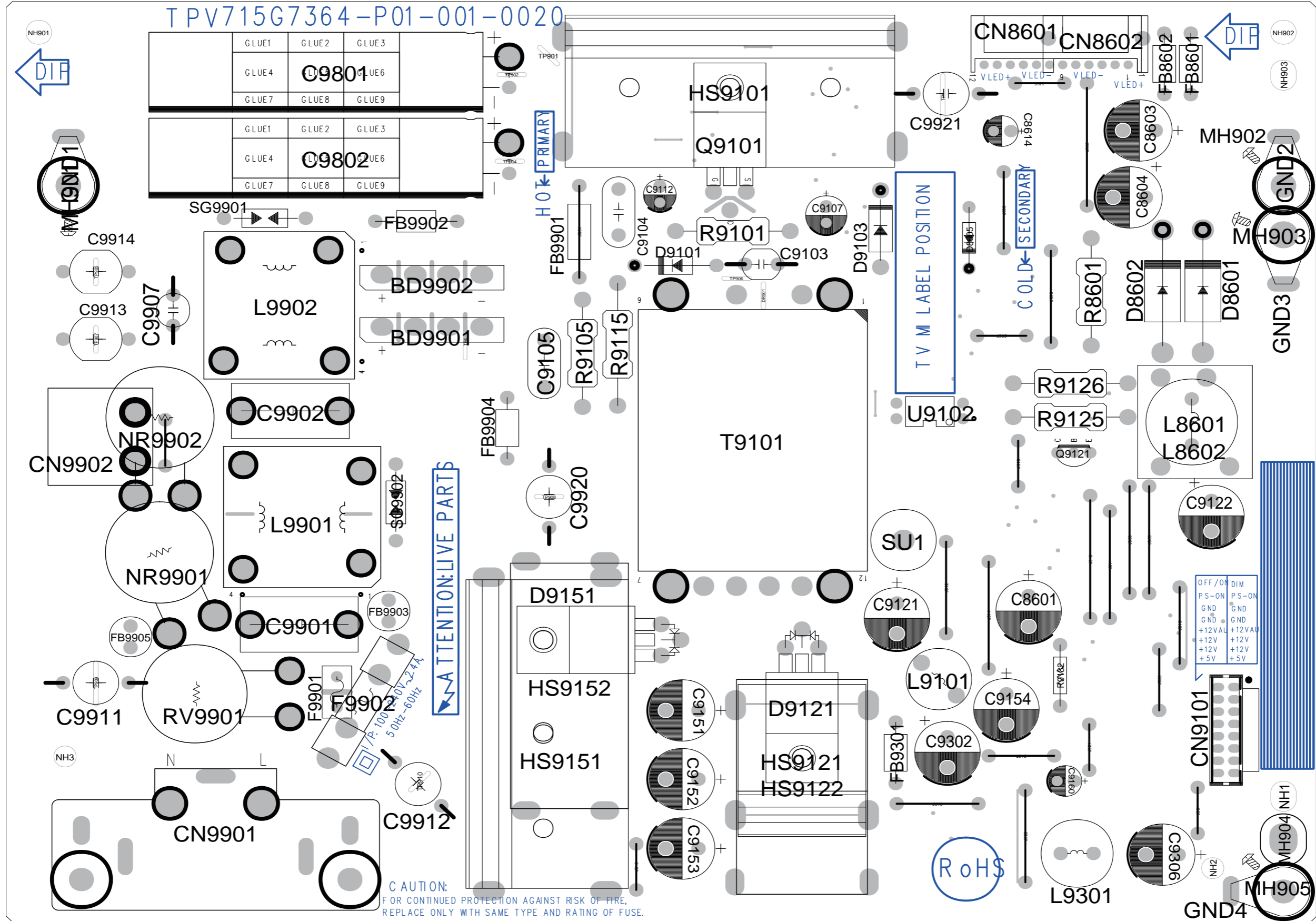
A02 LED DRIVER

A02



LED DRIVER	715G7364	2016-11-20

10-1-3 Power layout top



LAYOUT TOP	715G7364	2016-11-04

